

GM

99-17315-43550

**OFFICIAL
LICENSED PRODUCT**

General Motors Trademarks used under license to RC4WD.

BLAZER

***BODY* MANUAL**

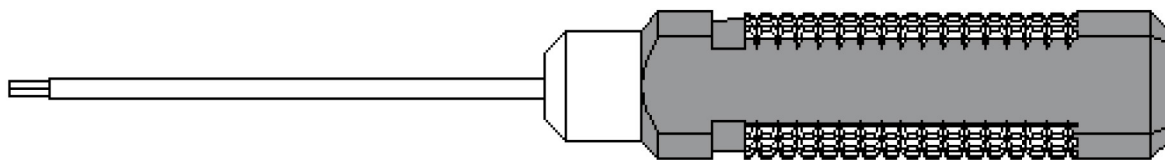
®



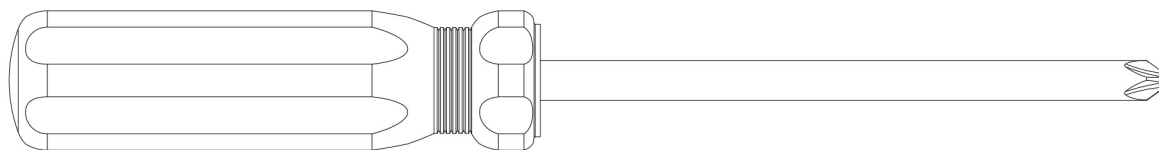
SHOWN MOUNTED FOR EXAMPLE ONLY



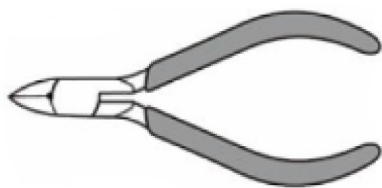
Recommended Tools



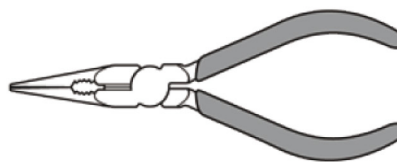
Hex Drivers (1.5mm,2mm,2.5mm)



Cross Screwdrivers (small)



Side Cutter Pliers



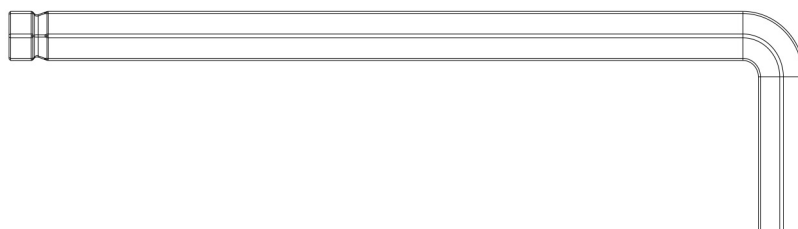
Long Nose Pliers



Modeling/Craft knife



Plastic cement/glue
(non-whitening CA glue)



Hex Drivers (1.5mm,2mm,2.5mm)

Tips for Assembly

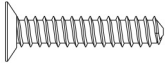
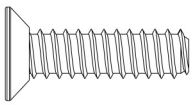
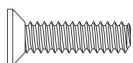
Use good quality hex drivers to avoid stripping screws heads. Do not over tighten screws otherwise you may strip the thread.

RC4WD Limited Warranty


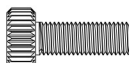
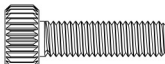
All RC4WD products are warranted to be free of defects in materials and workmanship when new. Our limited warranty does not cover damages due to normal wear and tear, user error of assembly or installation, user modifications, user's failure to perform routine maintenance, addition of aftermarket parts or option parts. This warranty lasts 30 days after arrival for original purchaser. In the event of a defect under this warranty, RC4WD will at our discretion, replace the product, provided our inspection indicates that an original defect exists. RC4WD reserves the right to replace any product which is no longer available with a product of comparable value and function. If RC4WD determines the repair is not covered under warranty guidelines, we will contact you to discuss your options. If you have any questions, please contact us via email at support@rc4wd.com.



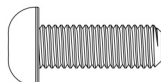
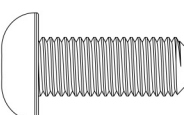
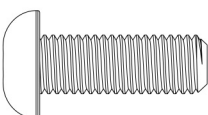
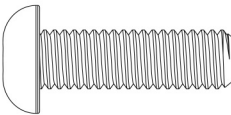
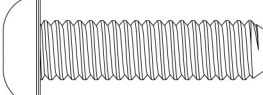
Flat Head Self Tapping Screws

Z-S1566		M1.4X8	8X
Z-S1568		M3X10	6X
Z-S1582		M1.6X6	4X

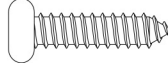
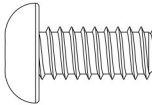
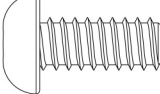
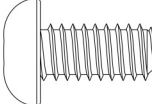
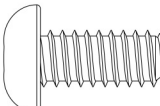
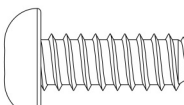
Socket Head Cap Screws

Z-S1253		M1.6X5	4X
Z-S0752		M1.6X6	2X
Z-S1236		M1.6X10	2X

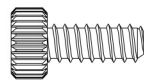
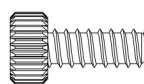
Steel Button Head Cap Screws

Z-S0933		M2X6	4X
Z-S0653		M3X10	2X
Z-S0654		M3X12	2X
Z-S0655		M3X14	2X
Z-S0656		M3X16	2X


Button Head Self Tapping Screws

Z-S1580		M2X8	2X
Z-S1570		M2.5X6	4X
Z-S1572		M2.5X8	4X
Z-S1574		M3X6	10X
Z-S1576		M3X8	16X
Z-S1578		M3X10	6X

Socket Head Self Tapping Screws

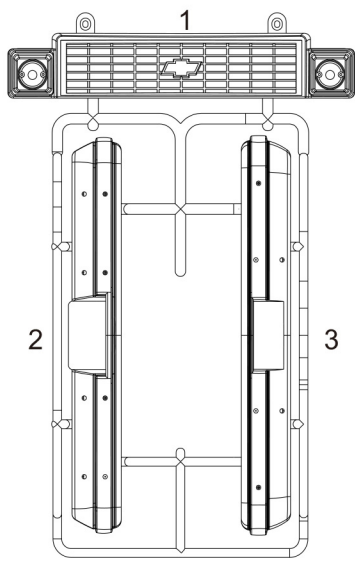
Z-S1584		M2X5	4X
Z-S1586		M2X6	10X

Nuts

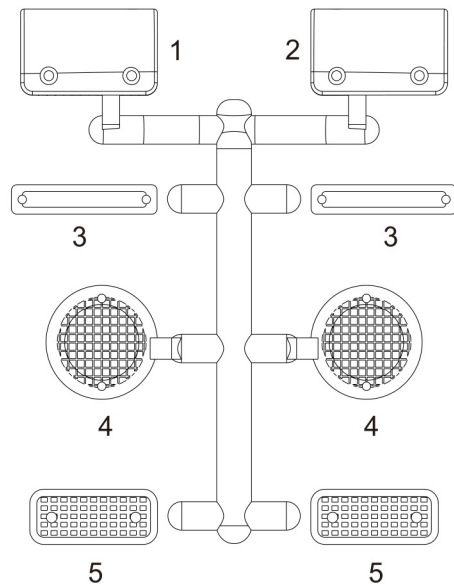
Z-S1230		M1.6 Nut	6X
---------	---	----------	----

Steel Flat Head Socket Cap Screw

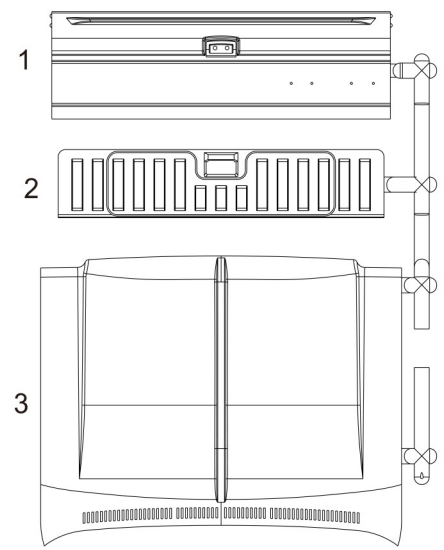
Z-S1611		M1.6X6	2X
---------	---	--------	----



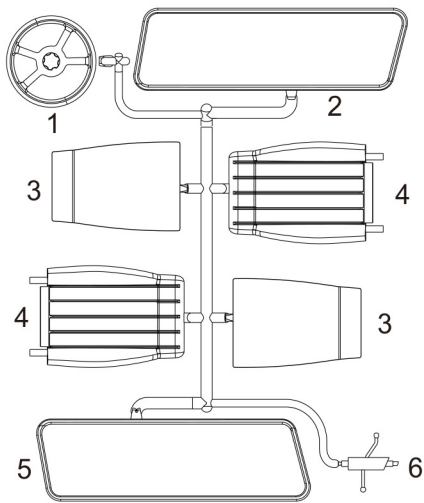
Z-B0094



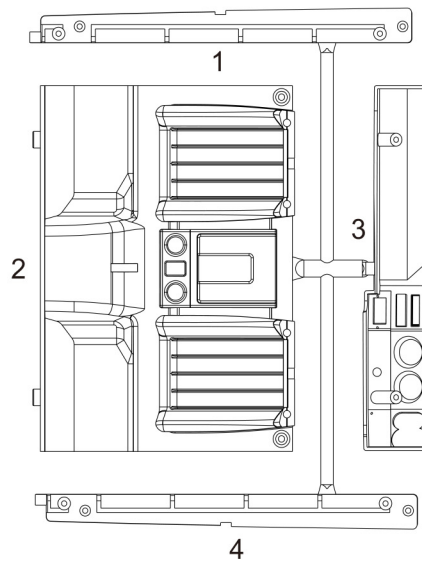
Z-B0096



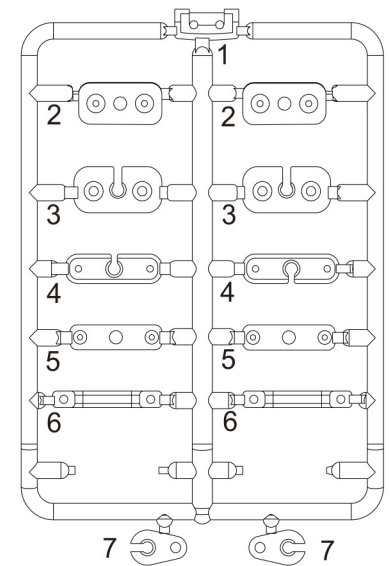
Z-B0098



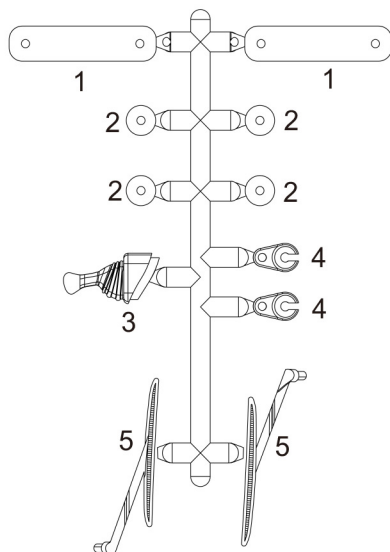
Z-B0100



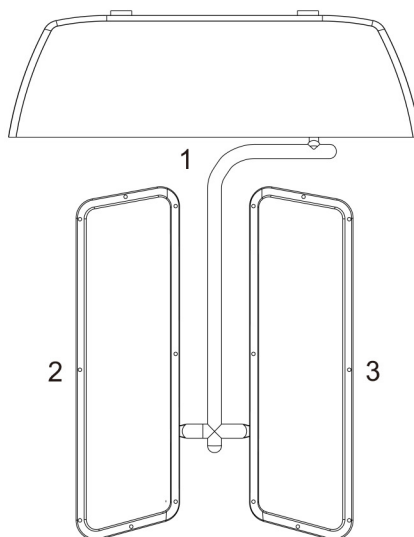
Z-B0102



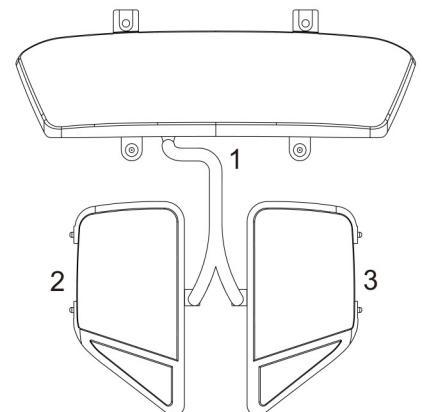
Z-B0104



Z-B0108

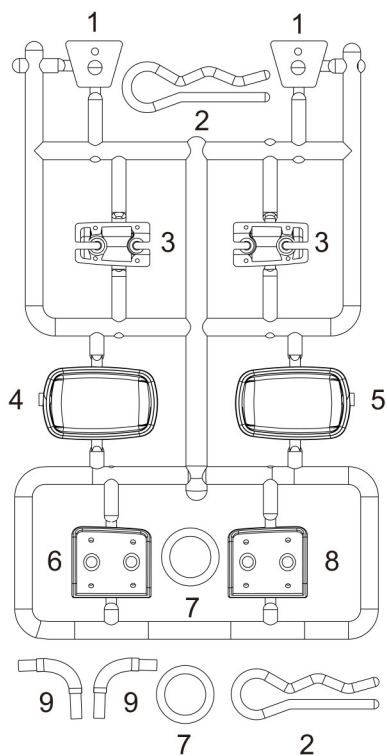


Z-B0110

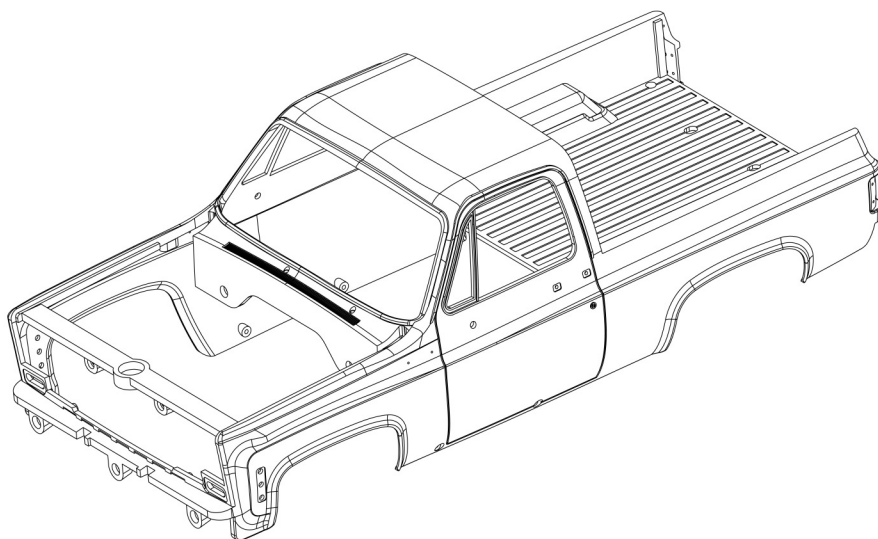


Z-B0114

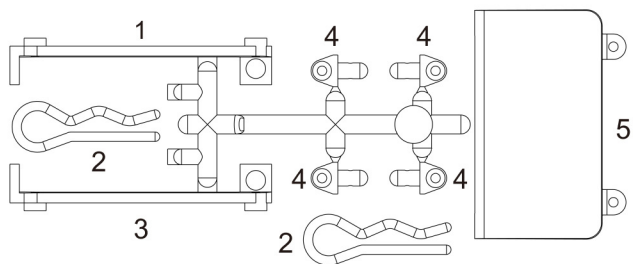




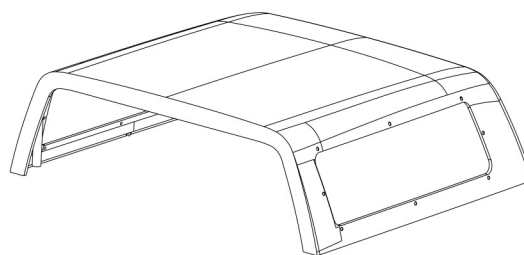
Z-B0106



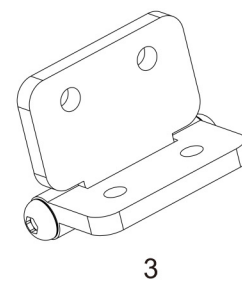
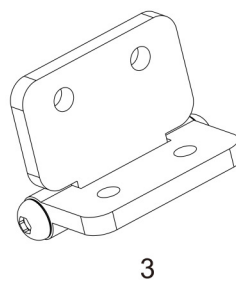
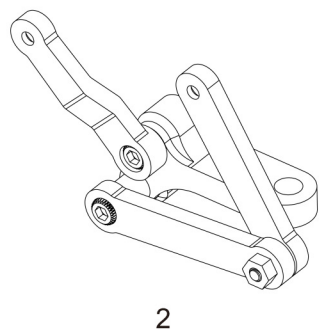
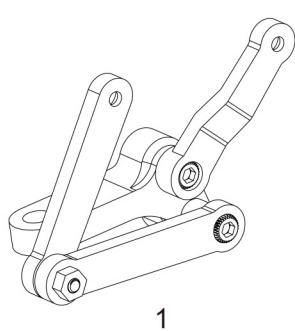
Z-B0116



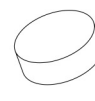
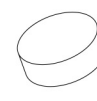
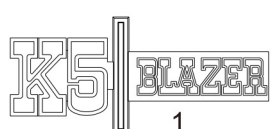
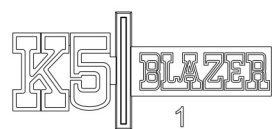
Z-B0112



Z-B0118



Z-S1564



Magnet

Metal

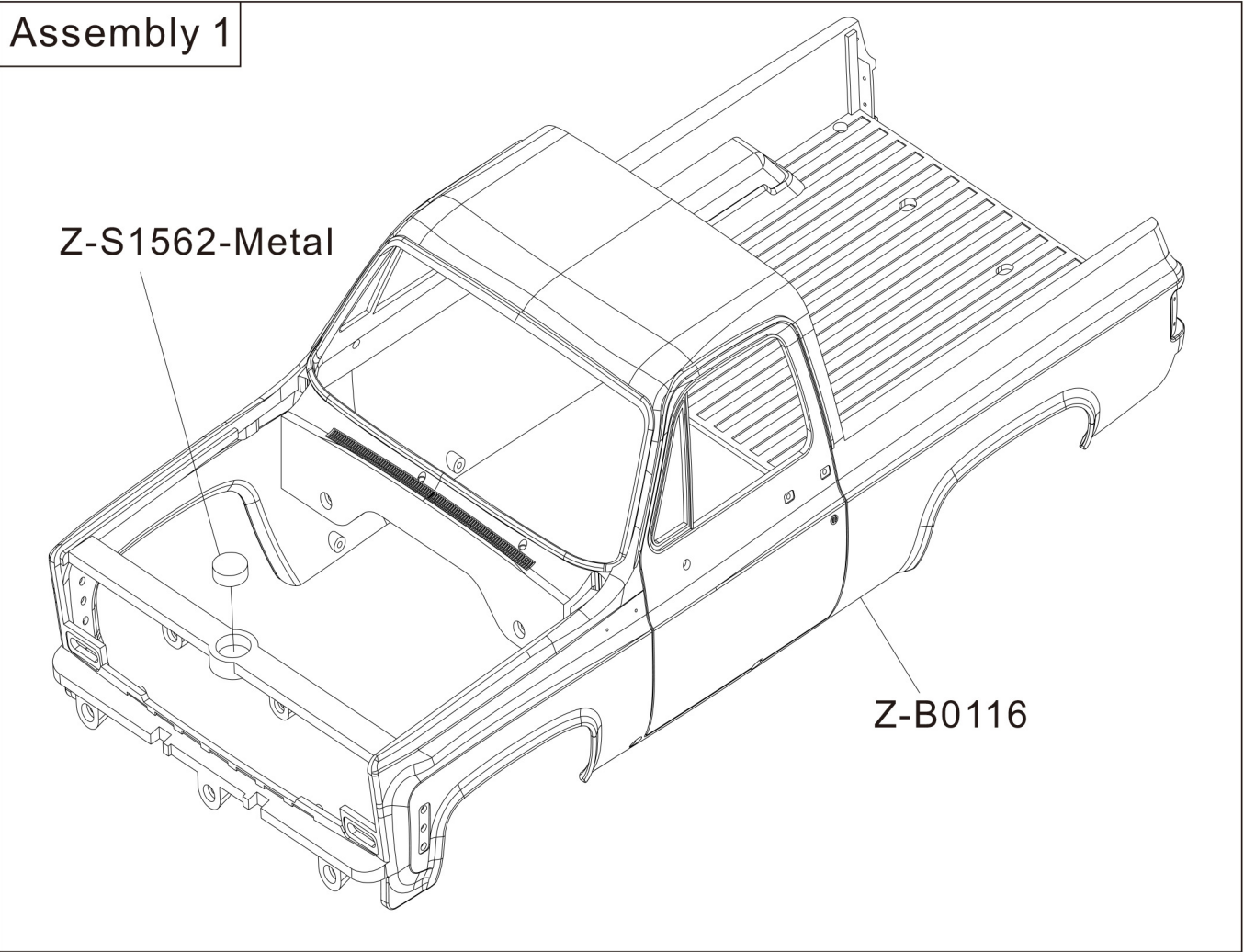
Z-S1560

Z-S1562

Assembly 1

Z-S1562-Metal

Z-B0116



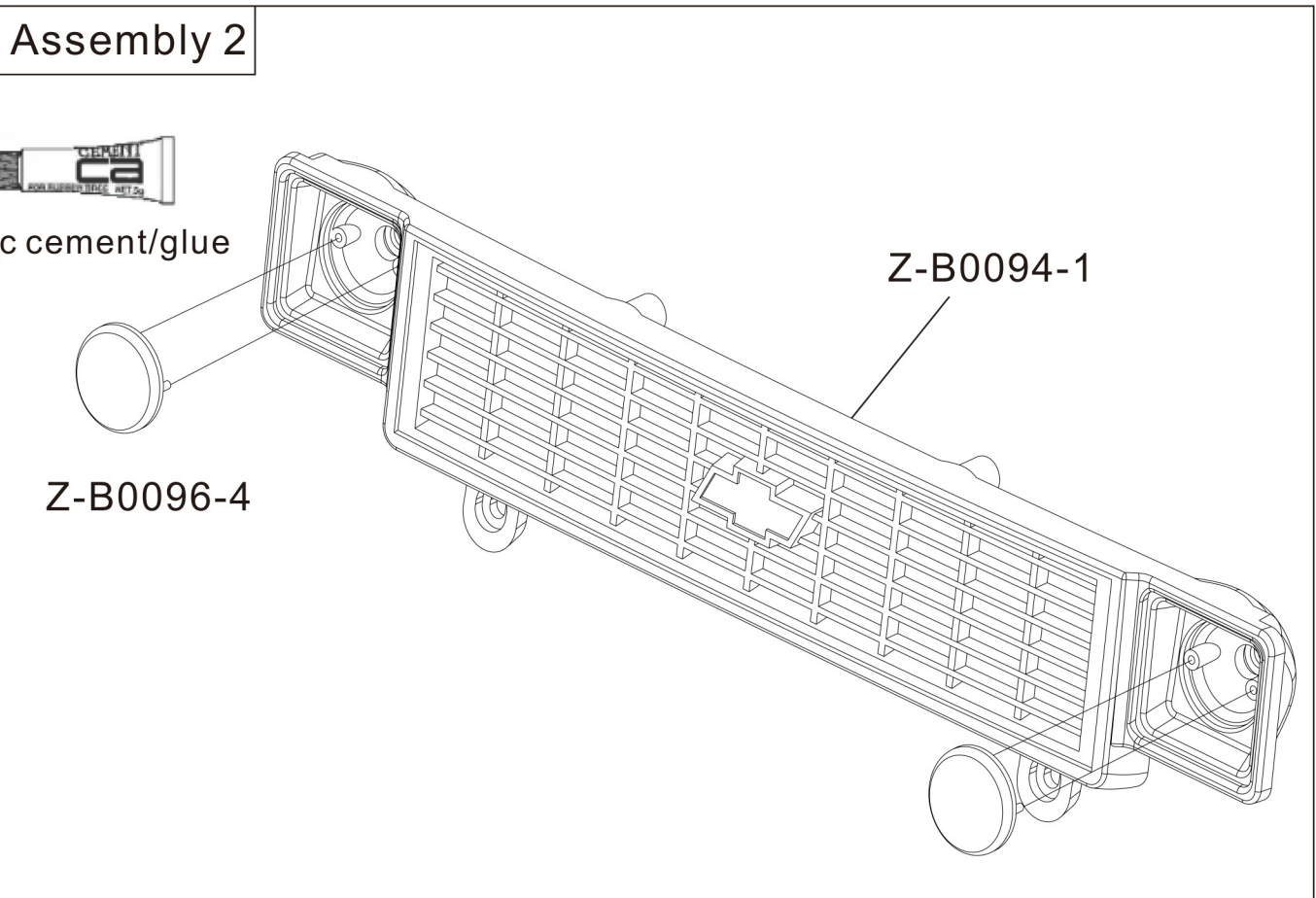
Assembly 2



Plastic cement/glue

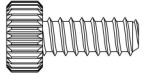
Z-B0094-1

Z-B0096-4



Assembly 3

Z-S1586



M2X6 Tapping Screw

Z-B0094-1

Z-B0104-7

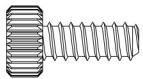
Z-B0108-4(Black)

Assembly 4



Plastic cement/glue

Z-S1586



M2X6 Tapping Screw

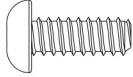
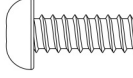
Z-B0104-2

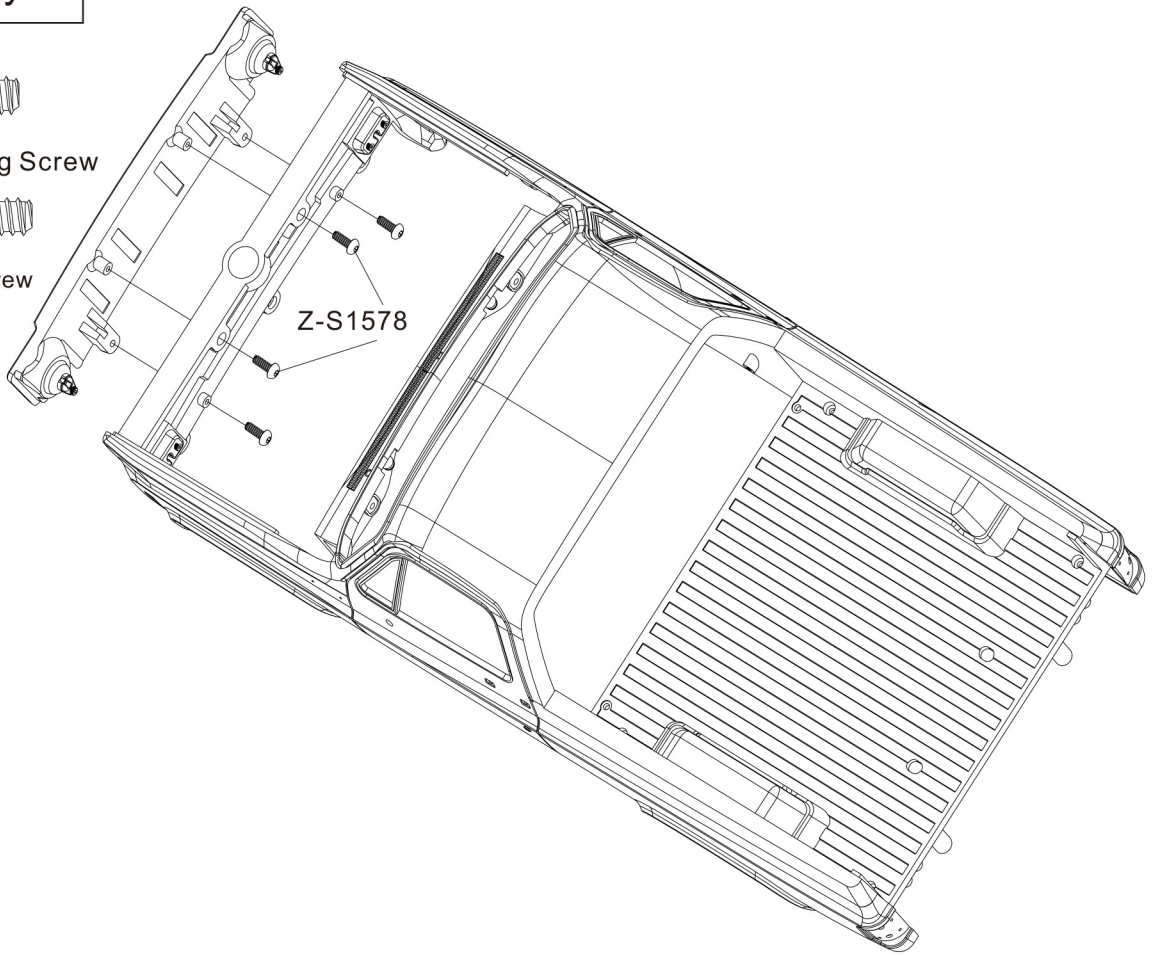
Z-B0104-3

Z-B0096-5





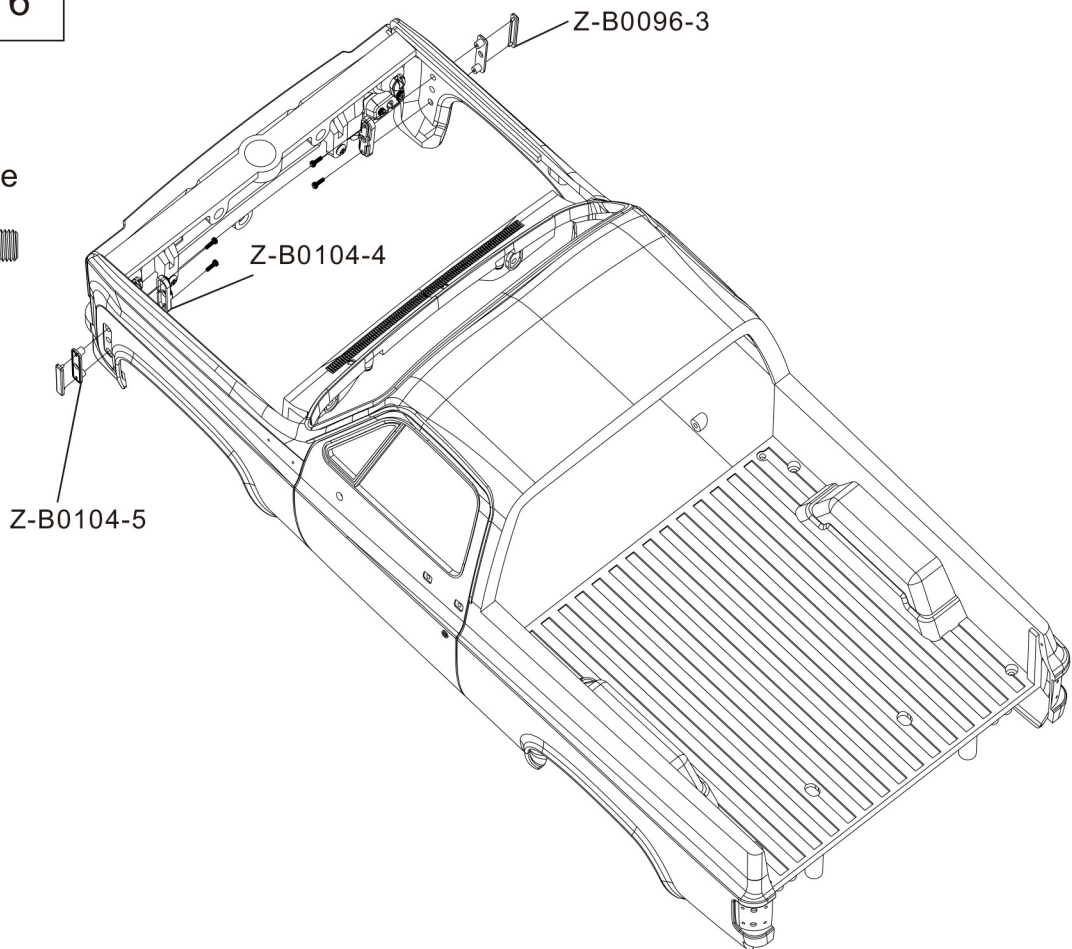
Assembly 5

- Z-S1574  M3X6 Tapping Screw
- Z-S1578  M3X10 Tapping Screw



Assembly 6

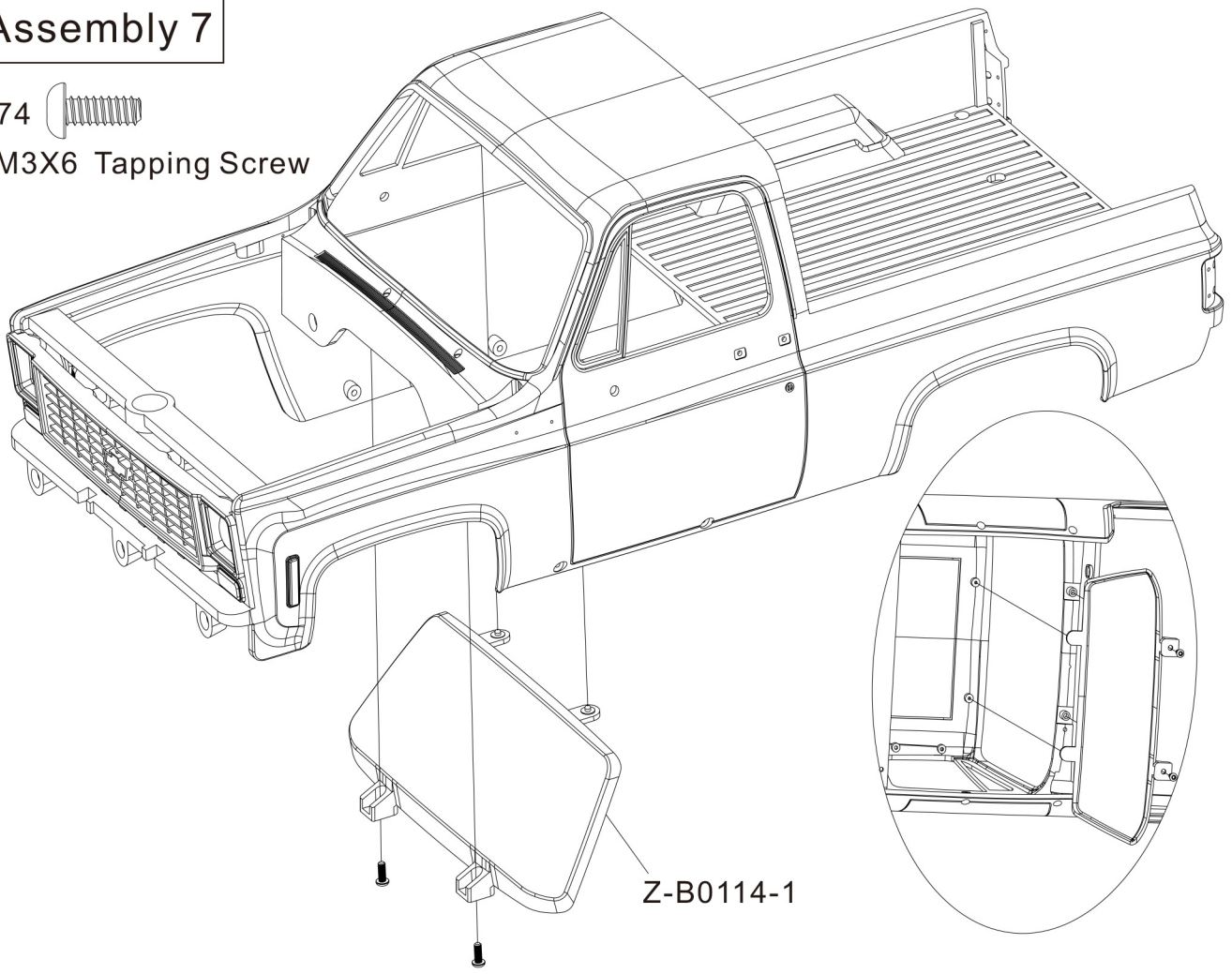
-  Plastic cement/glue
- Z-S1253  M1.6x5



Assembly 7

Z-S1574 

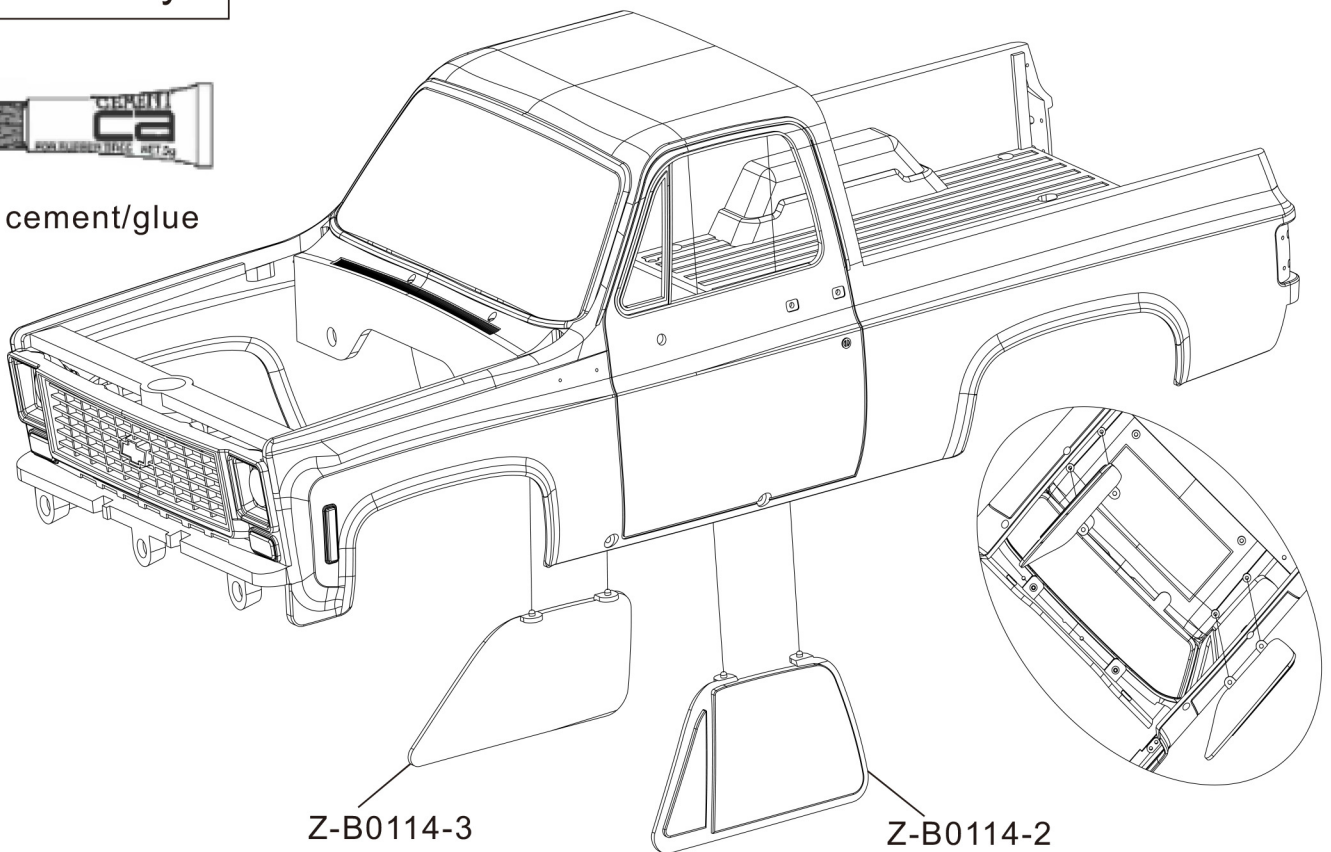
M3X6 Tapping Screw



Assembly 8



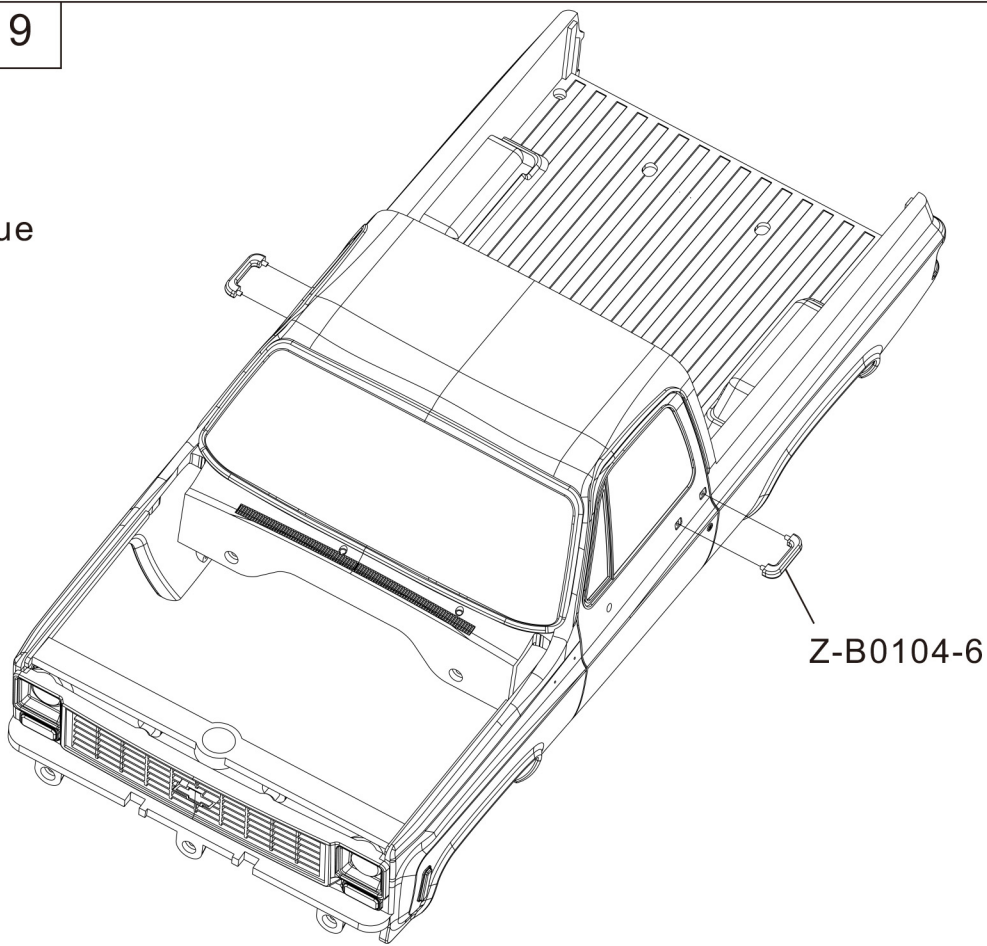
Plastic cement/glue



Assembly 9



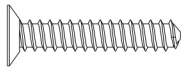
Plastic cement/glue



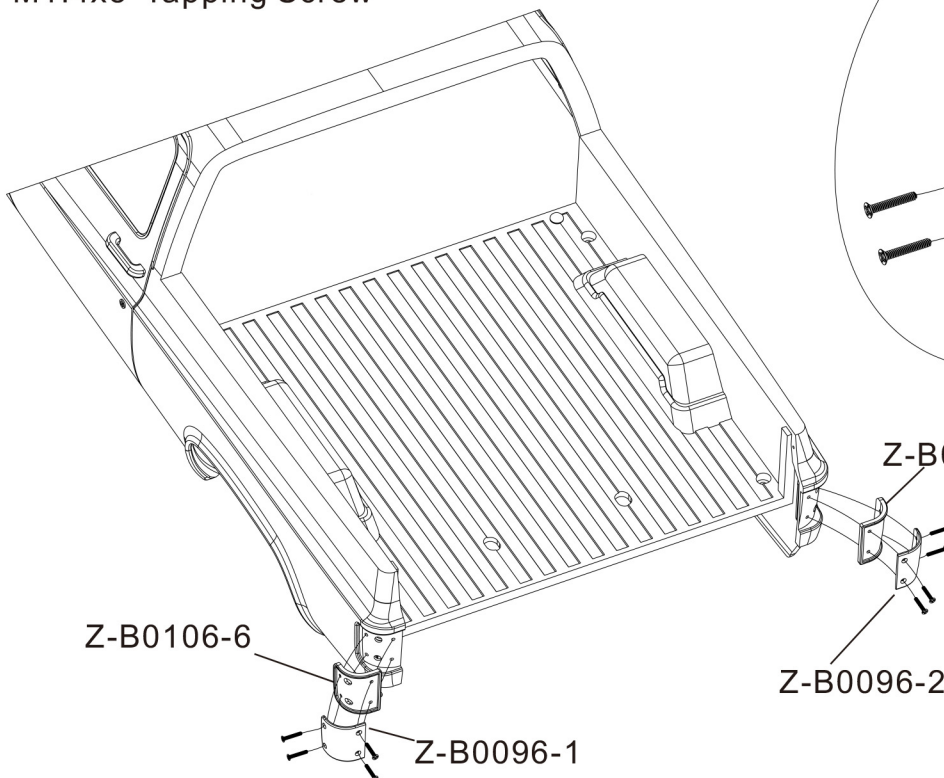
Z-B0104-6

Assembly 10

Z-S1566



M1.4x8 Tapping Screw



Z-B0106-3

Z-B0106-8

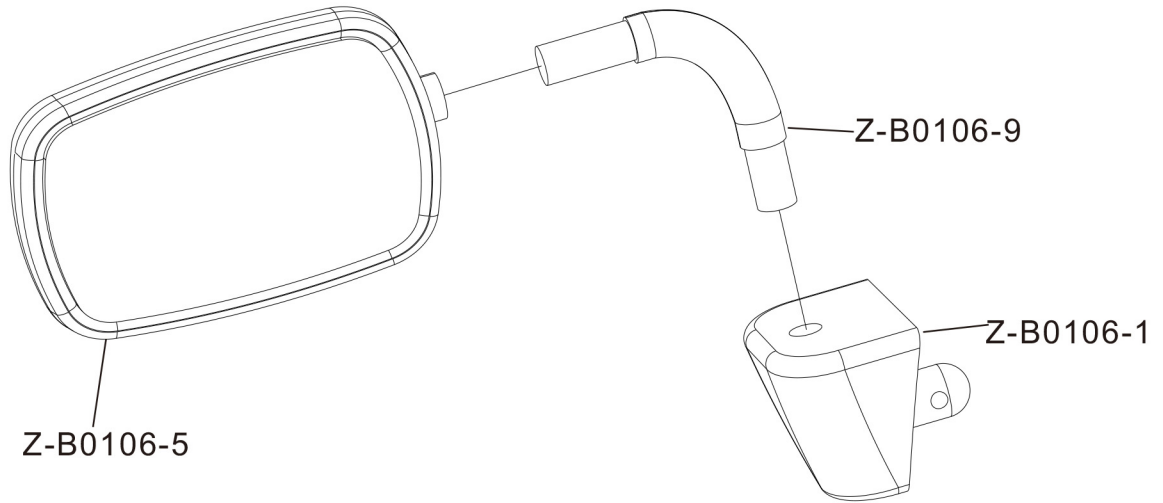
Z-B0106-6

Z-B0096-1

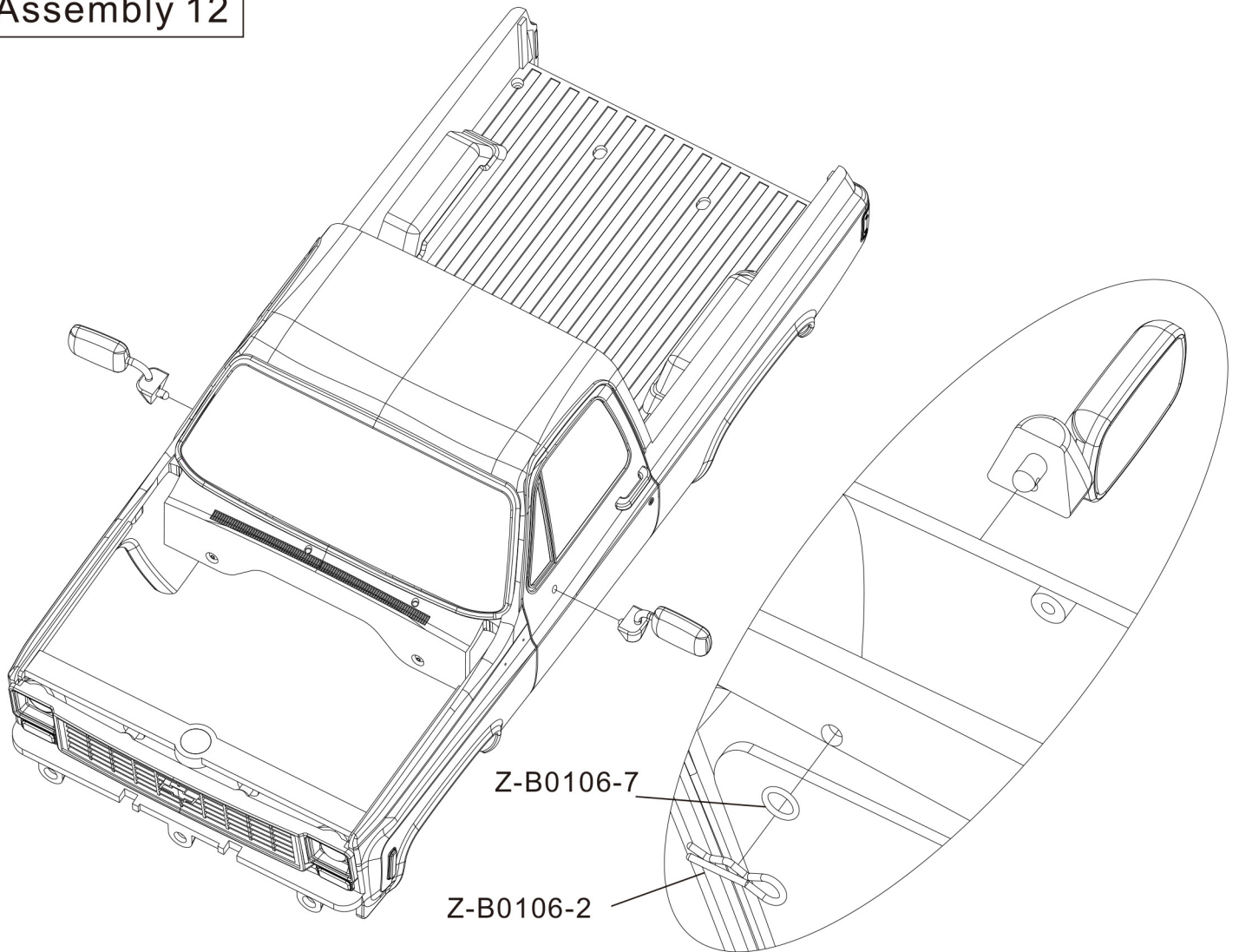
Z-B0096-2

Assembly 11

Notice: Make left and right.



Assembly 12

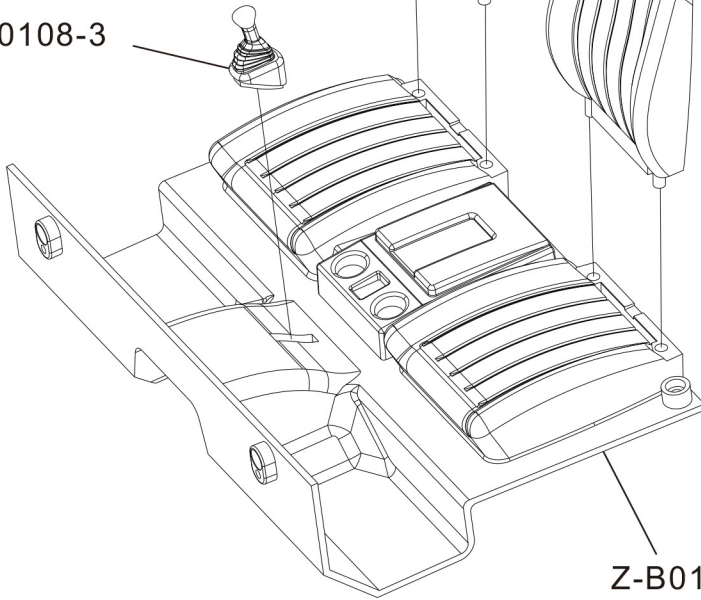


Assembly 13



Plastic cement/glue

Z-B0108-3



Z-B0100-4

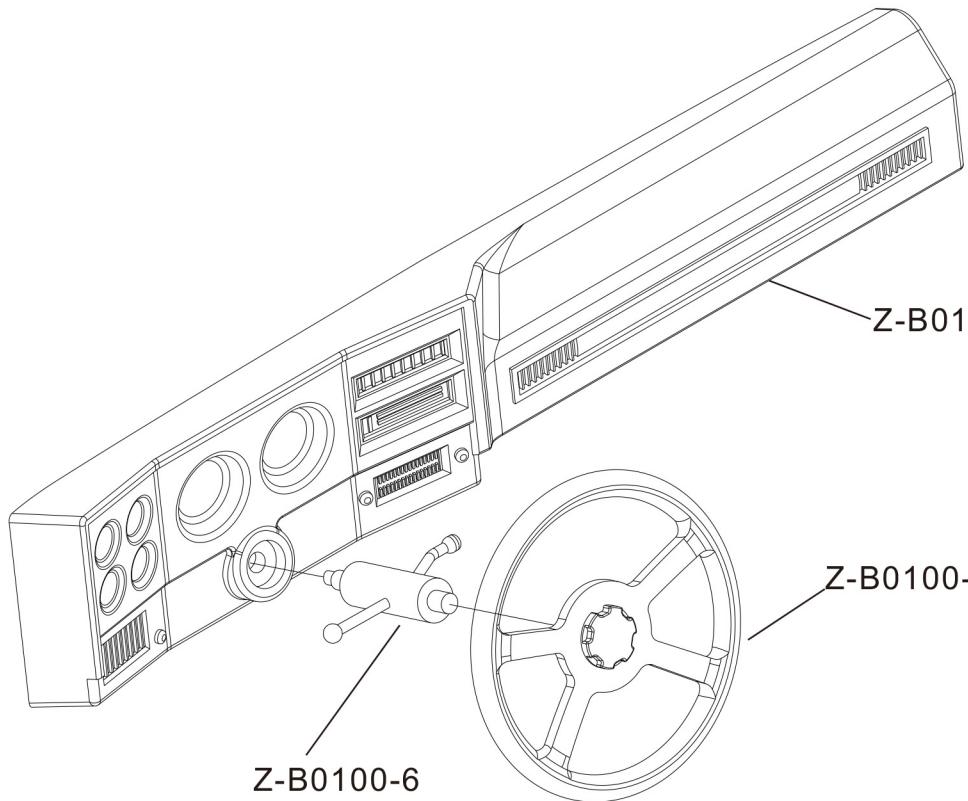
Z-B0100-3

Z-B0102-2

Assembly 14



Plastic cement/glue



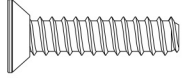
Z-B0102-3

Z-B0100-1

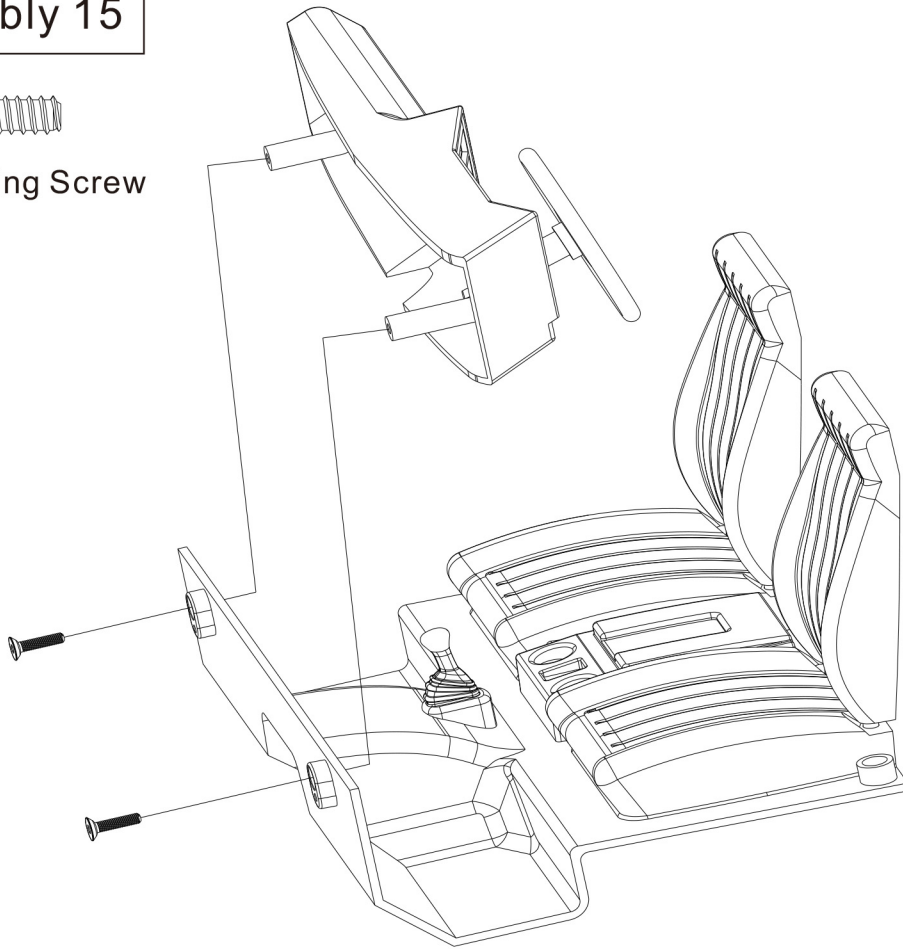
Z-B0100-6

Assembly 15

Z-S1568

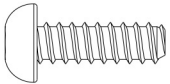


M3X10 Tapping Screw



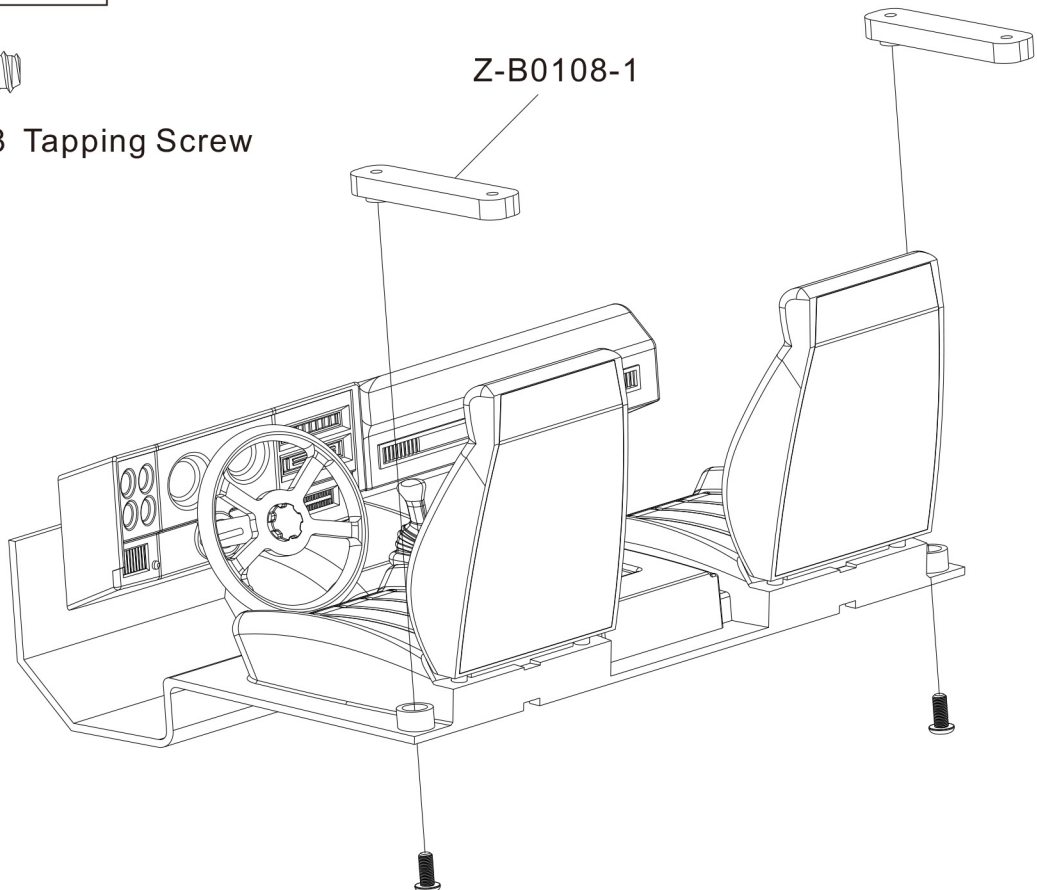
Assembly 16

Z-S1572



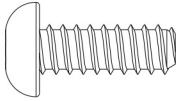
M2.5X8 Tapping Screw

Z-B0108-1



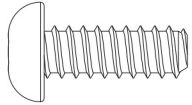
Assembly 17

Z-S1572

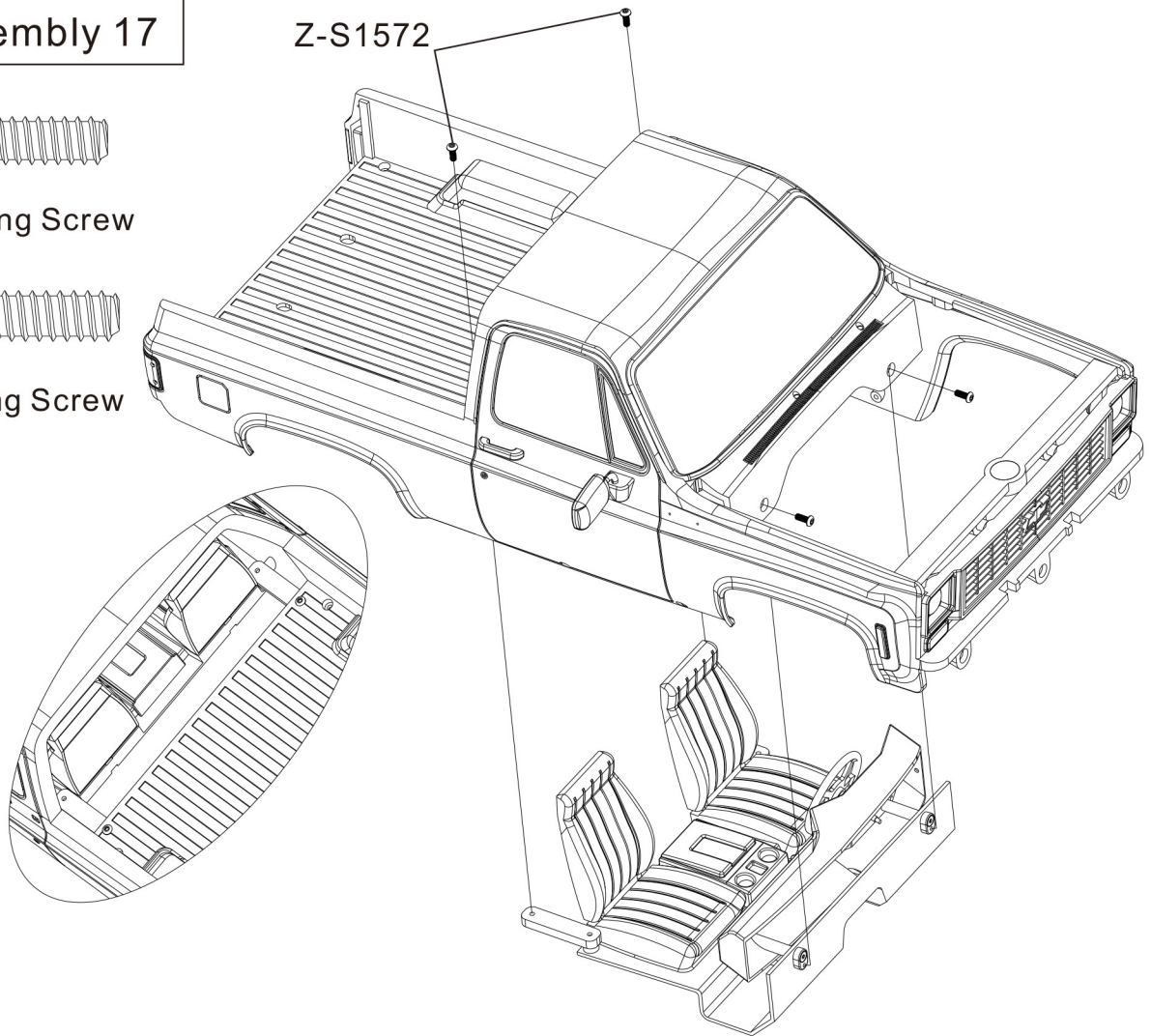


M2.5X8 Tapping Screw

Z-S1578



M3X10 Tapping Screw

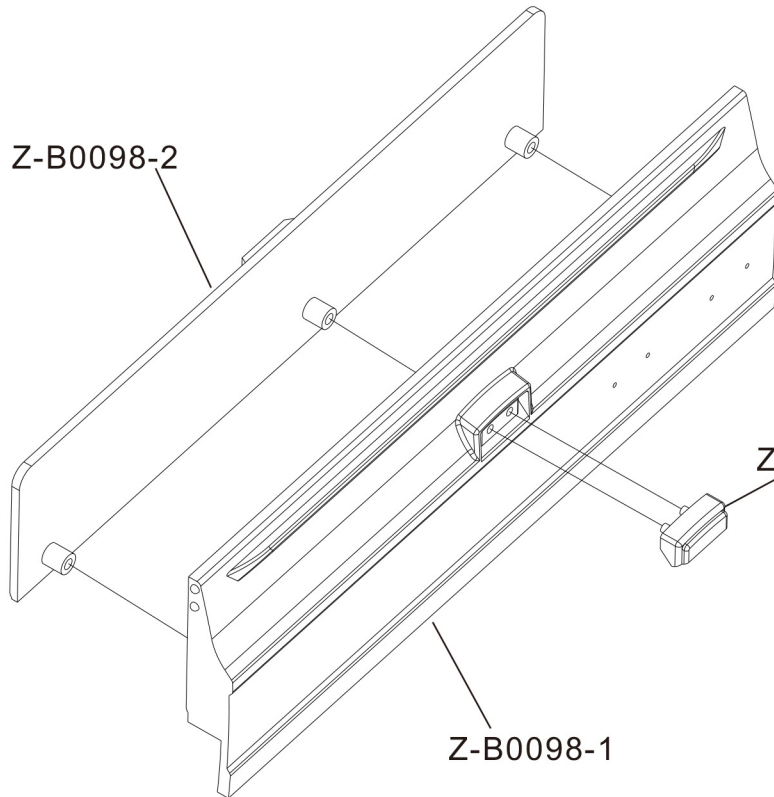


Assembly 18



Plastic cement/glue

Z-B0098-2



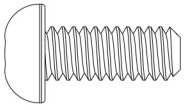
Z-B0104-1

Z-B0098-1

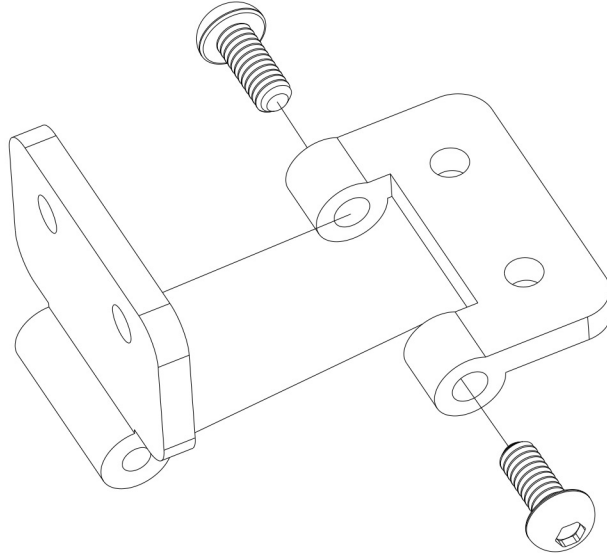
Assembly 19

Notice: This step just shows how to assemble. These come pre-assembled.

Z-S0933



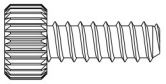
M2X6



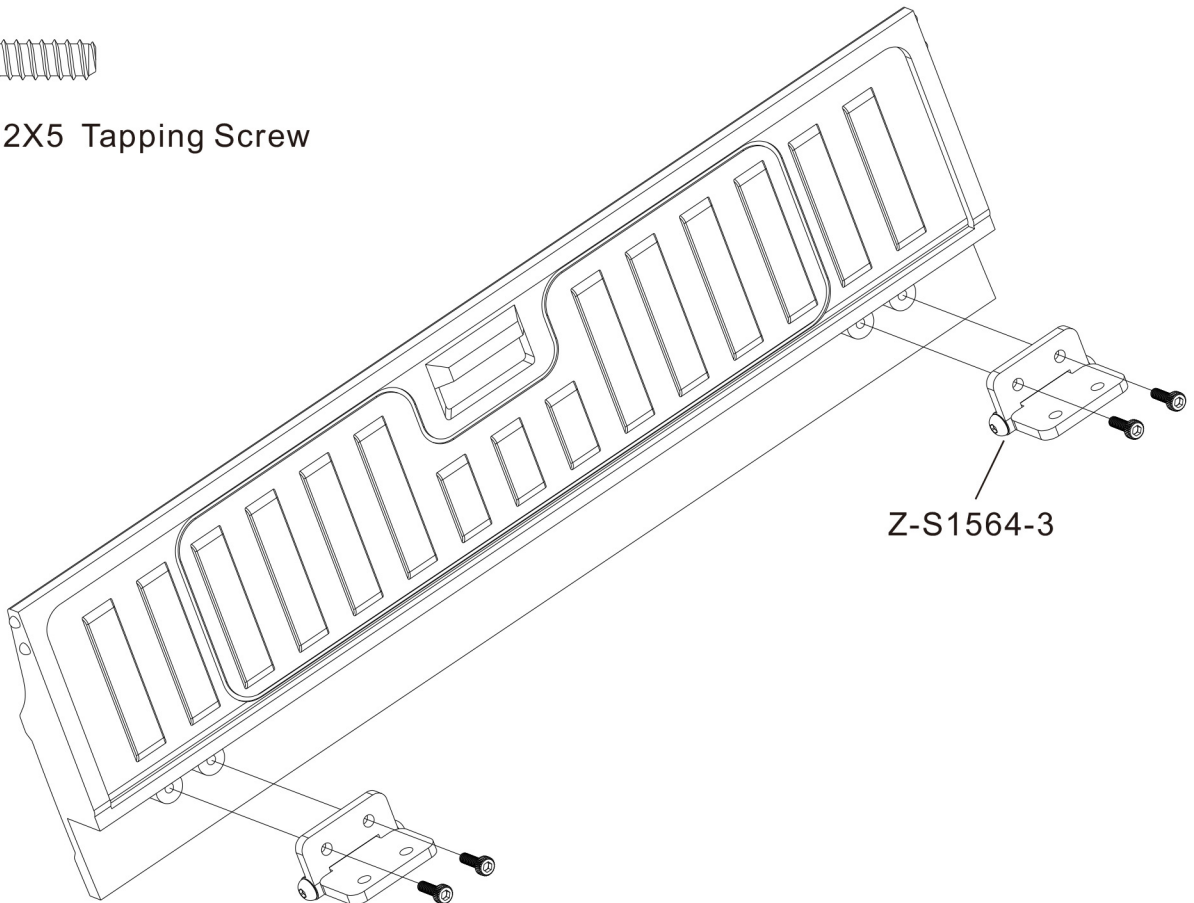
Z-S1564-3

Assembly 20

Z-S1584



M2X5 Tapping Screw

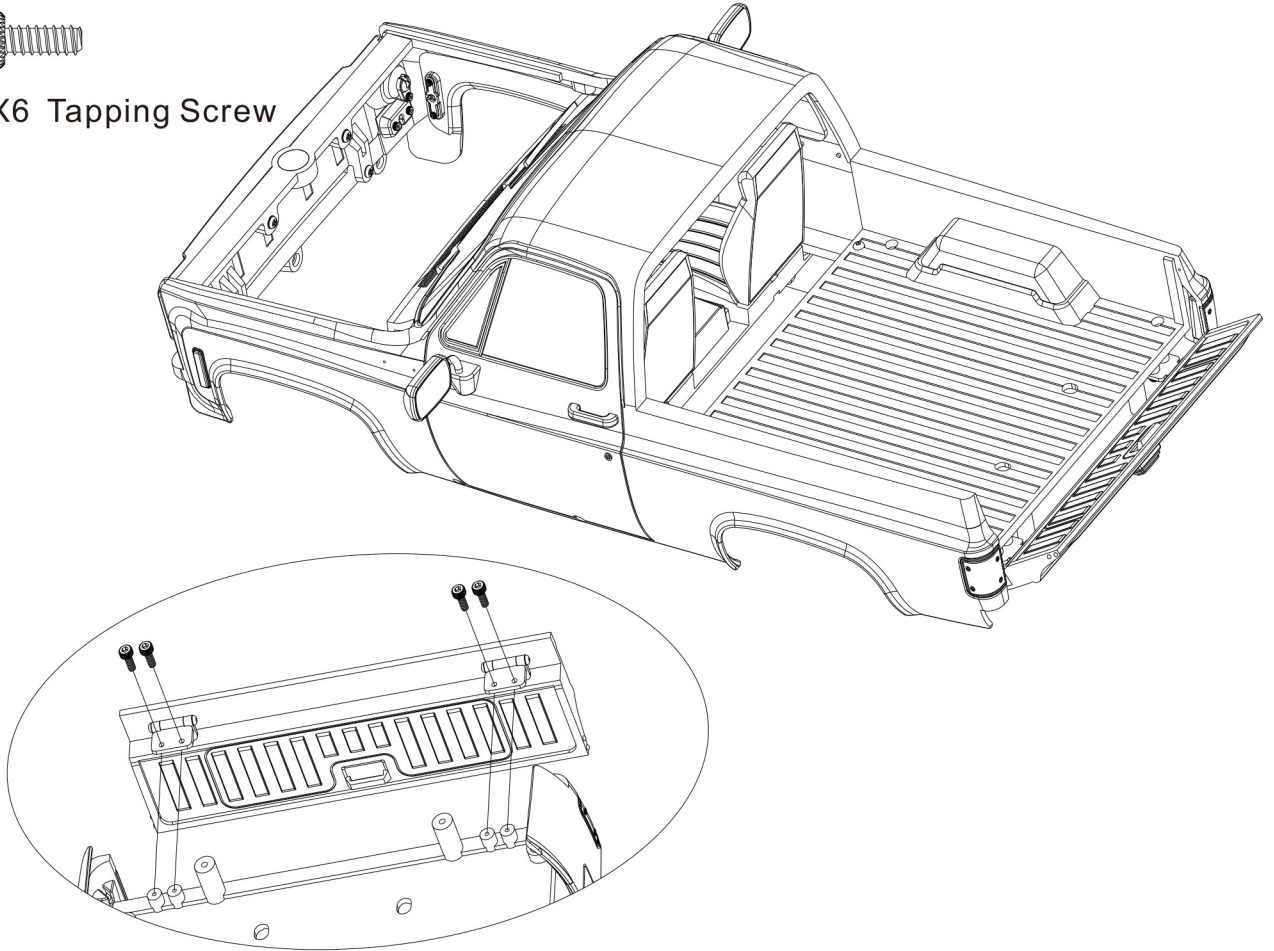


Z-S1564-3

Assembly 21

Z-S1586 

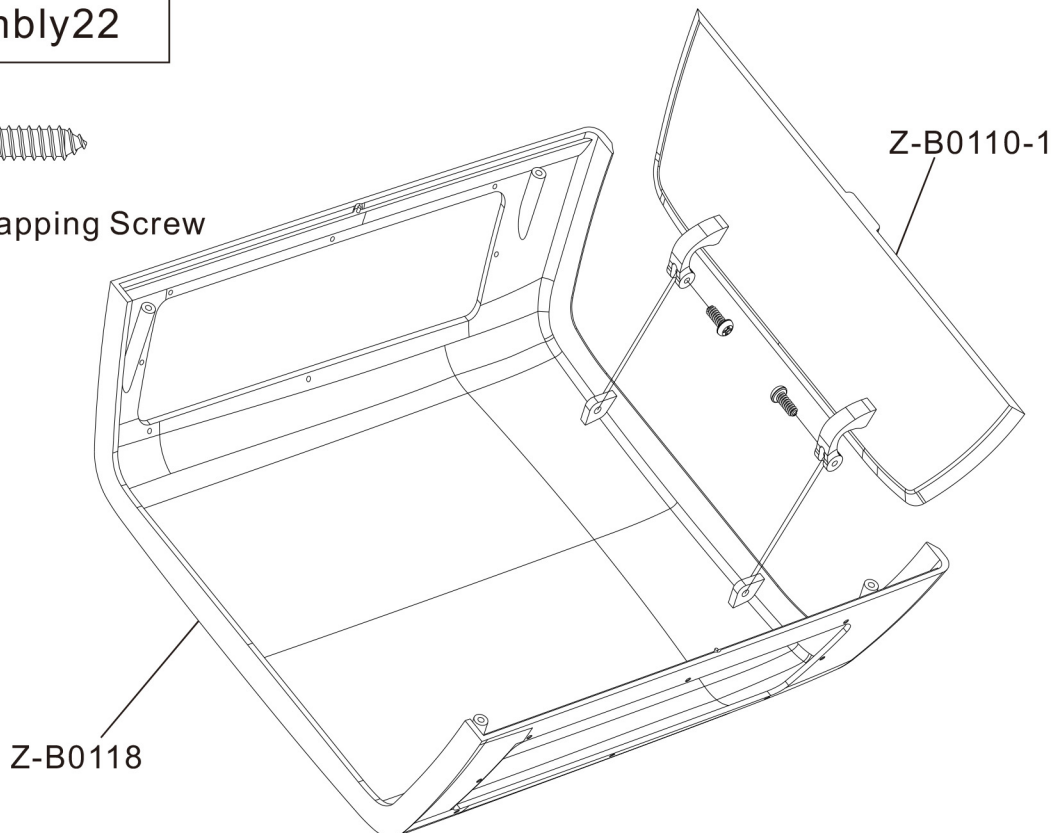
M2X6 Tapping Screw



Assembly 22

Z-S1580 

M2X8 Tapping Screw



Assembly 23



Plastic cement/glue

Z-B0100-5

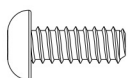
Z-B0110-3

Z-B0110-2

Z-B0100-2

Assembly 24

Z-S1570



M2.5X6 Tapping Screw

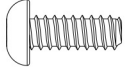
Z-B0102-4

Z-B0102-1

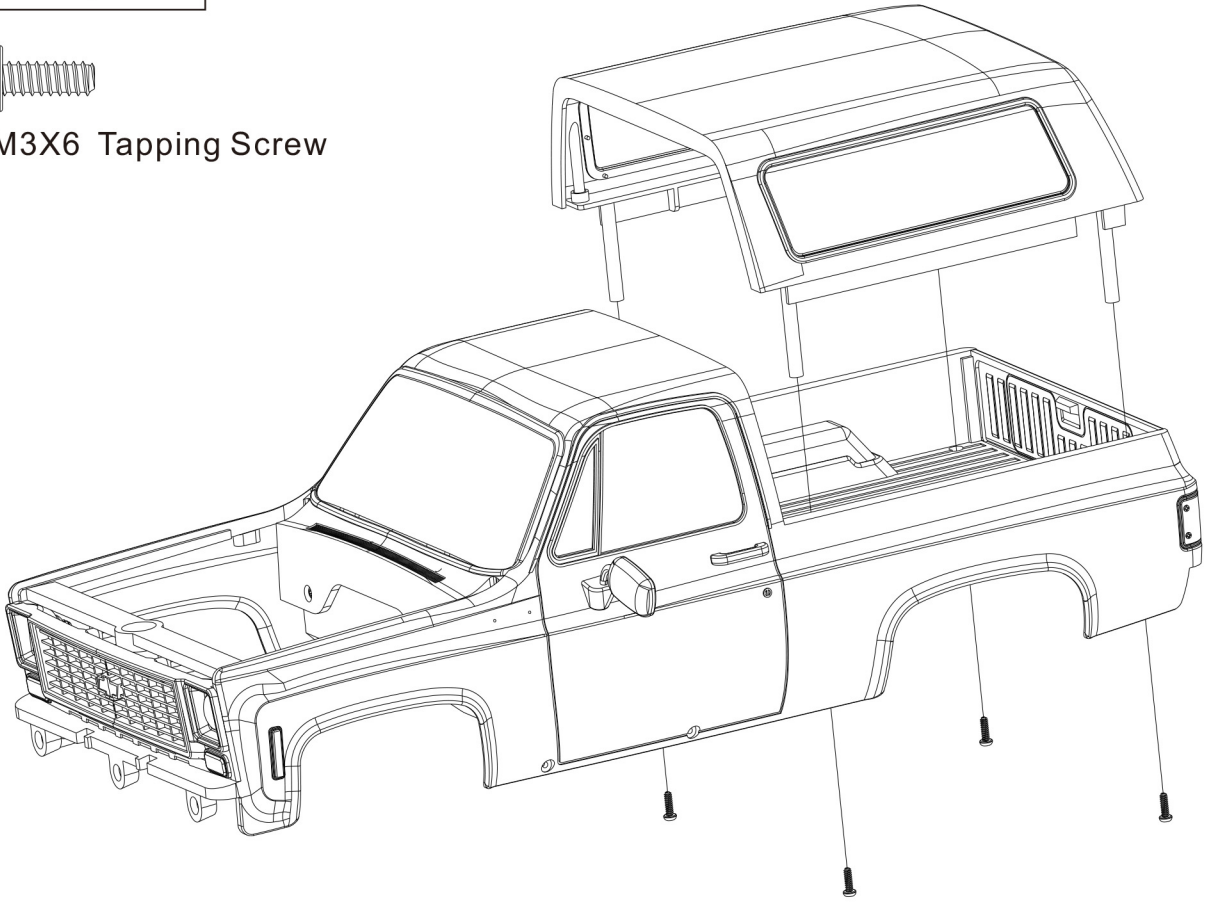


Assembly 25

Z-S1574



M3X6 Tapping Screw

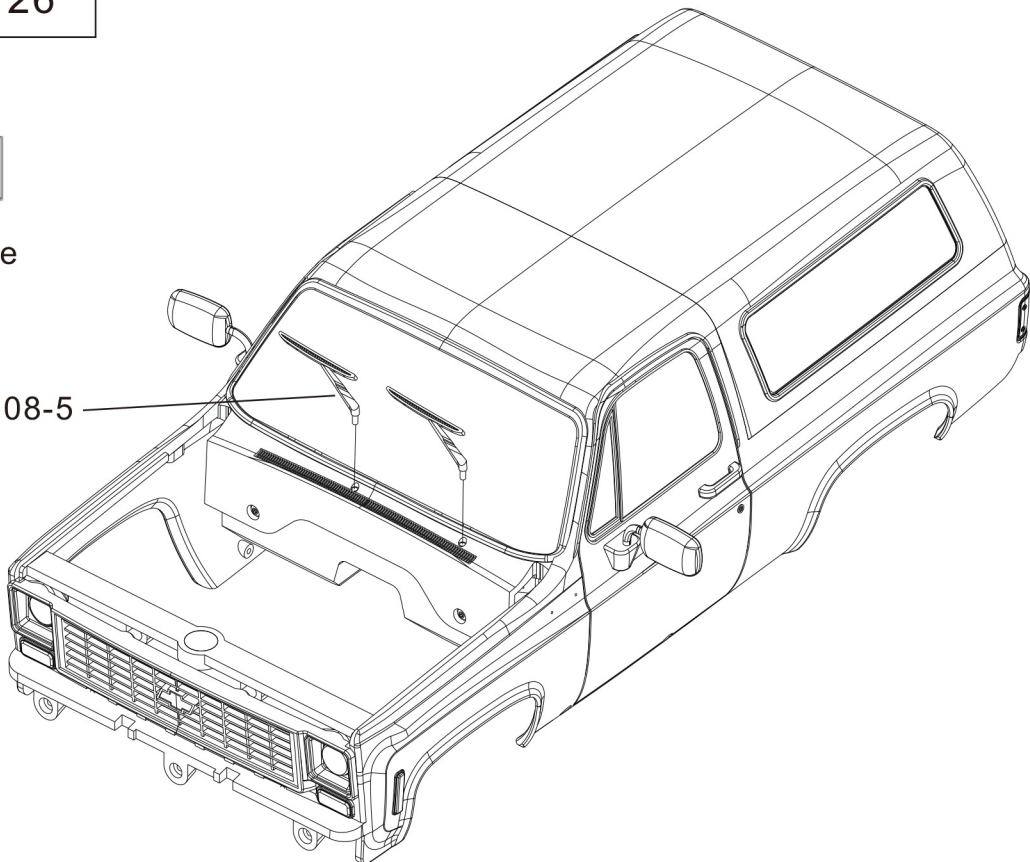


Assembly 26



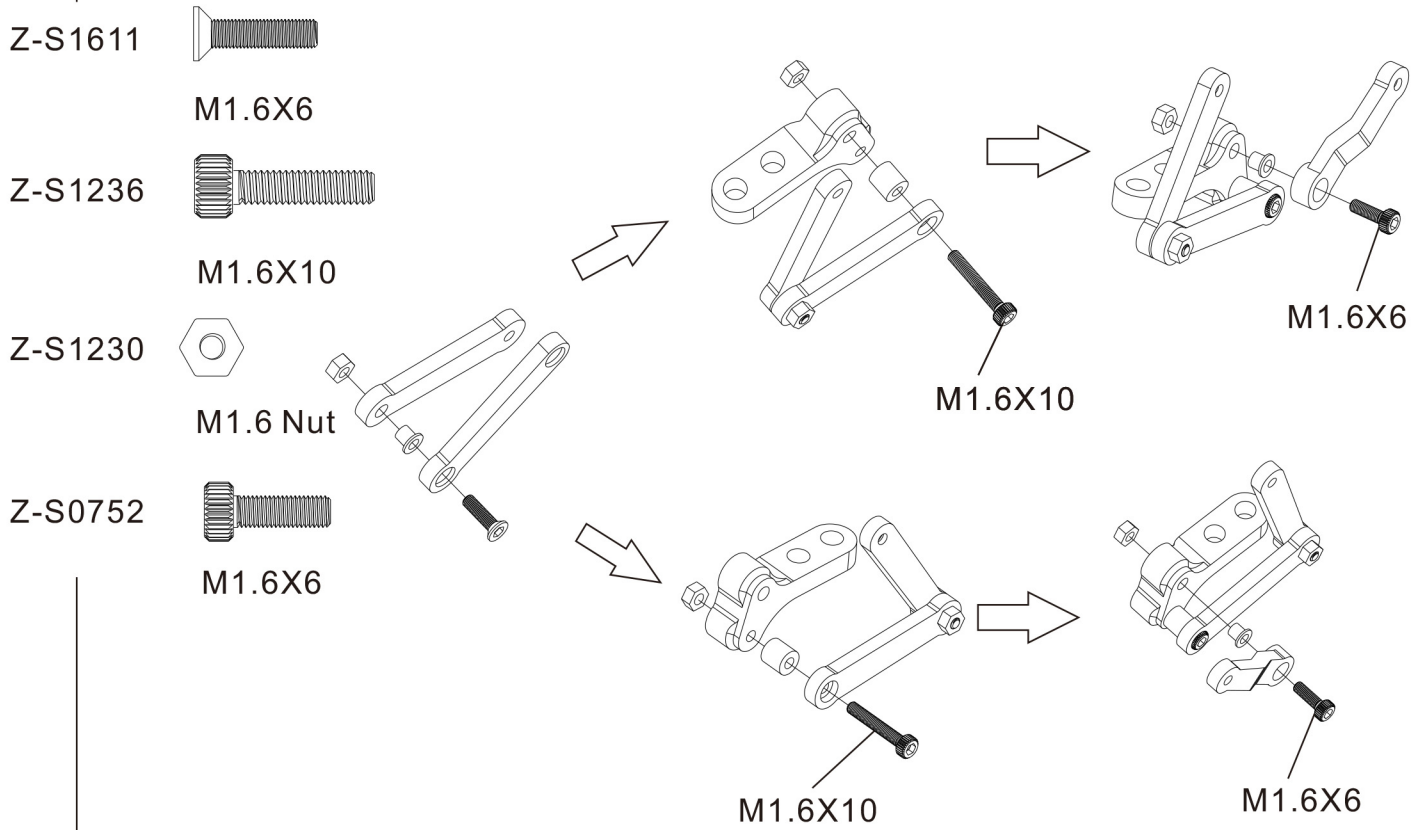
Plastic cement/glue

Z-B0108-5



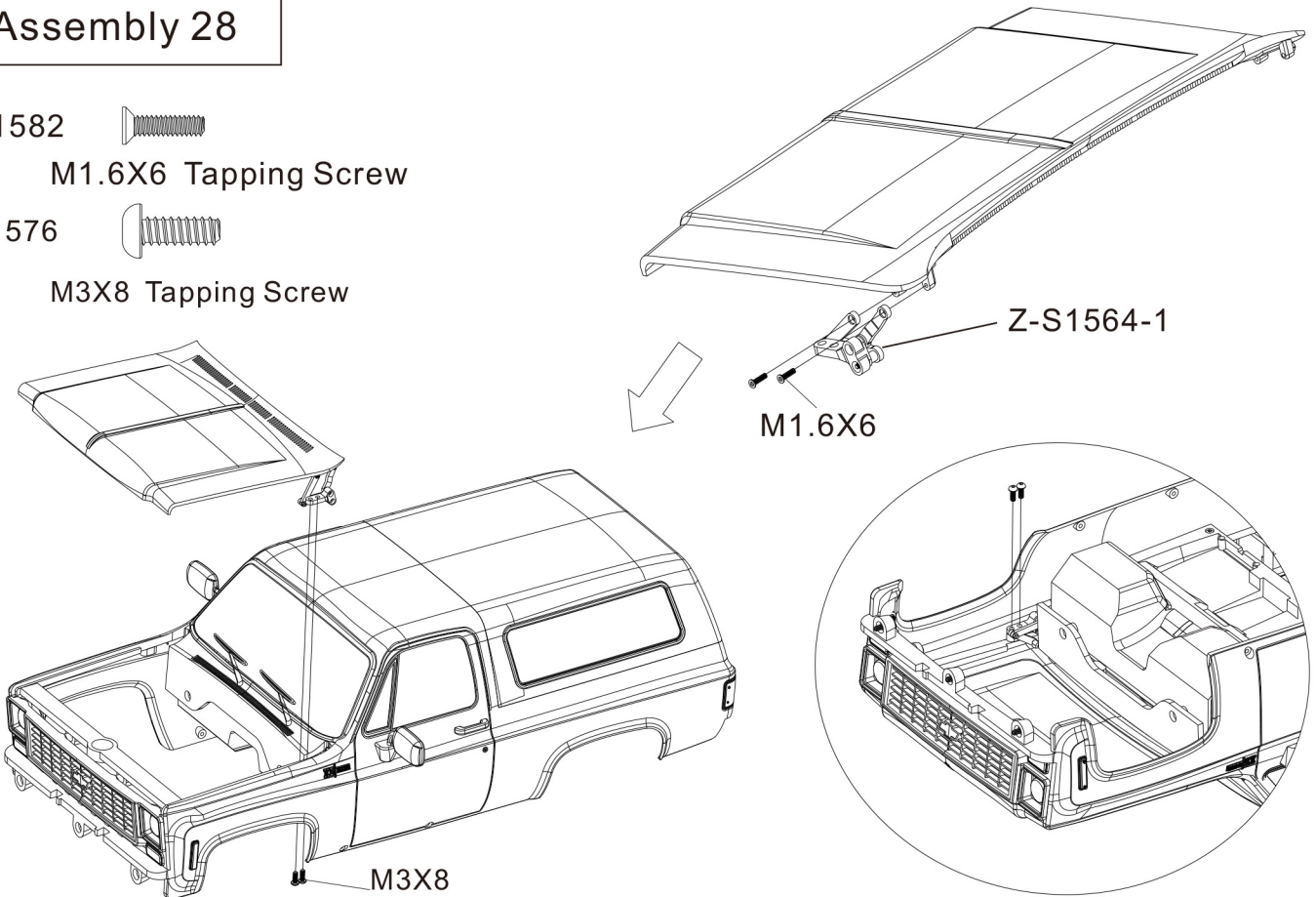
Assembly 27

Notice: This step just shows how to assemble. These come pre-assembled.



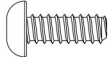
Assembly 28

- Z-S1582 M1.6X6 Tapping Screw
- Z-S1576 M3X8 Tapping Screw



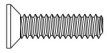
Assembly 29

Z-S1576

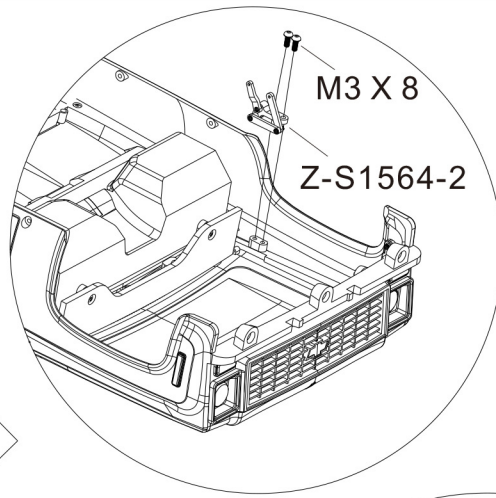


M3X8 Tapping Screw

Z-S1582

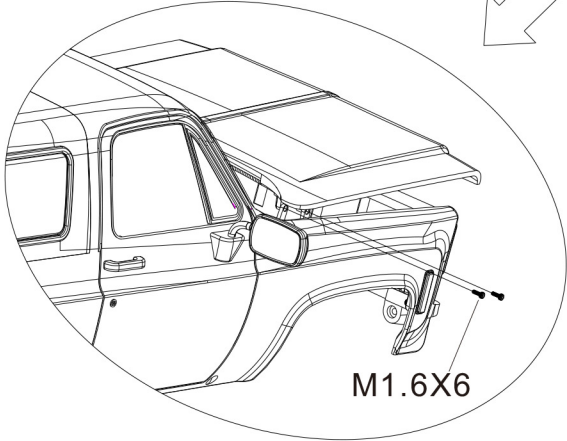


M1.6X6 Tapping Screw

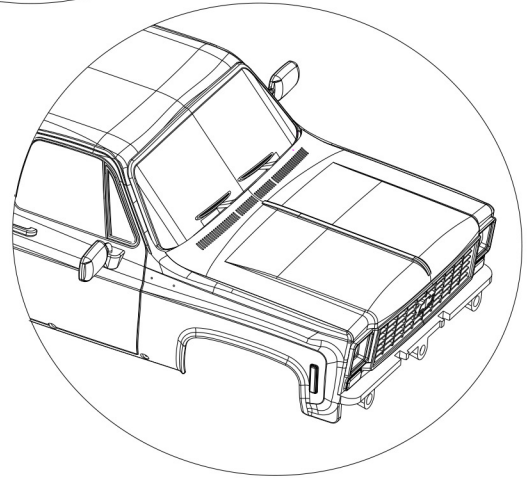
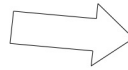


M3 X 8

Z-S1564-2

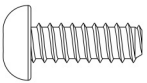


M1.6X6



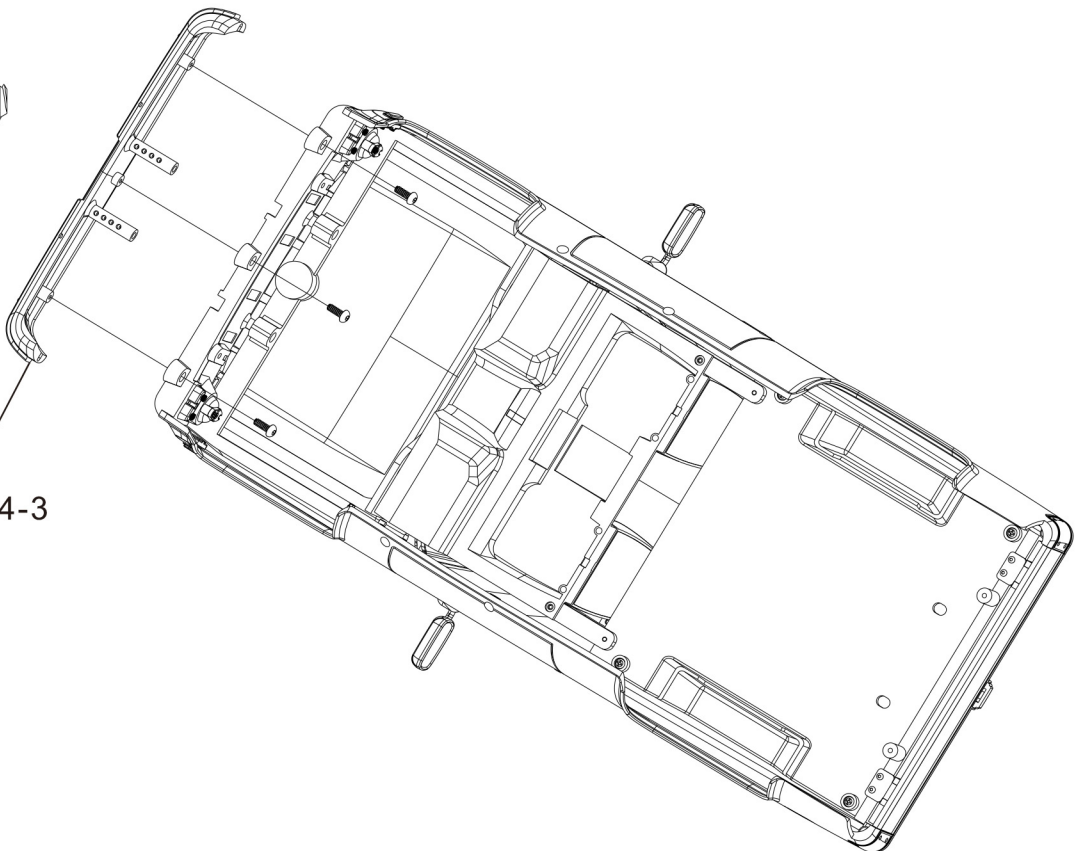
Assembly 30

Z-S1576



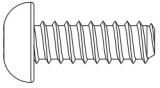
M3X8 Tapping Screw

Z-S0094-3

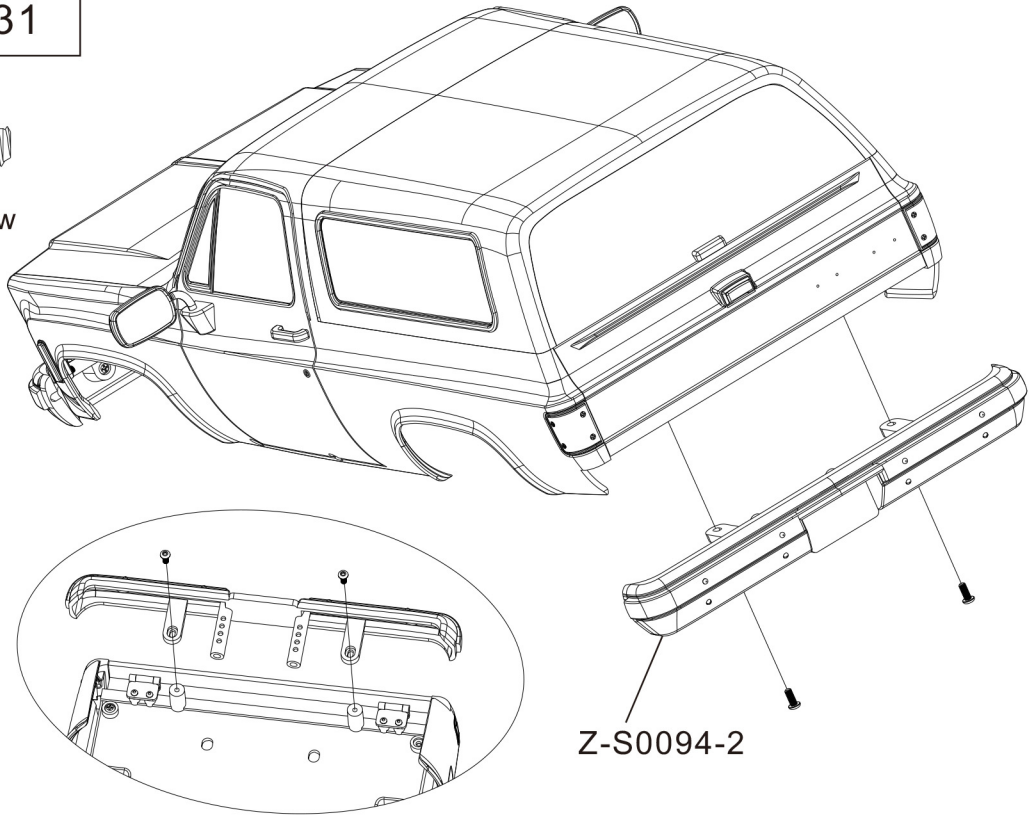


Assembly 31

Z-S1578



M3X10 Tapping Screw

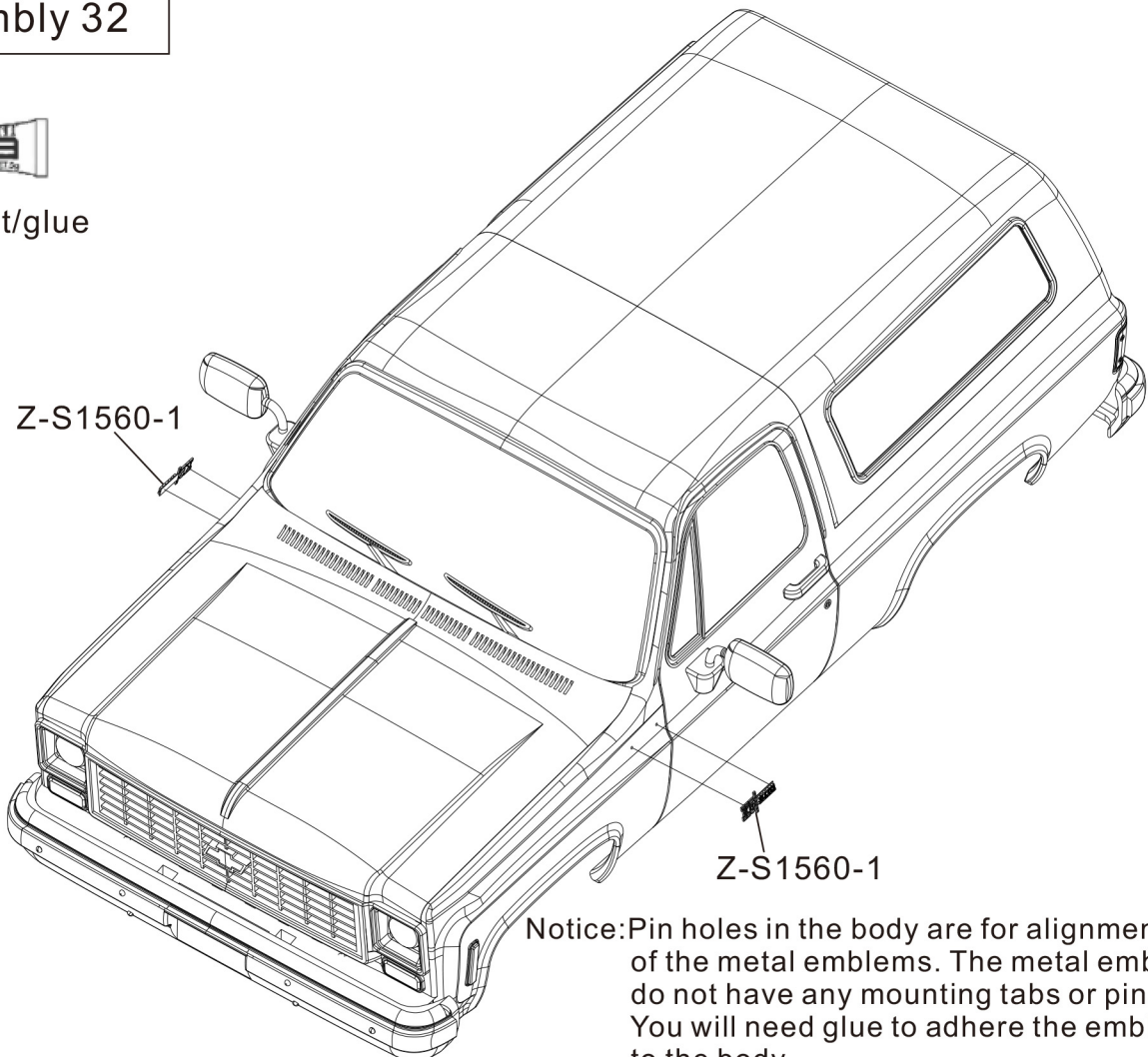


Z-S0094-2

Assembly 32



Plastic cement/glue



Z-S1560-1

Z-S1560-1

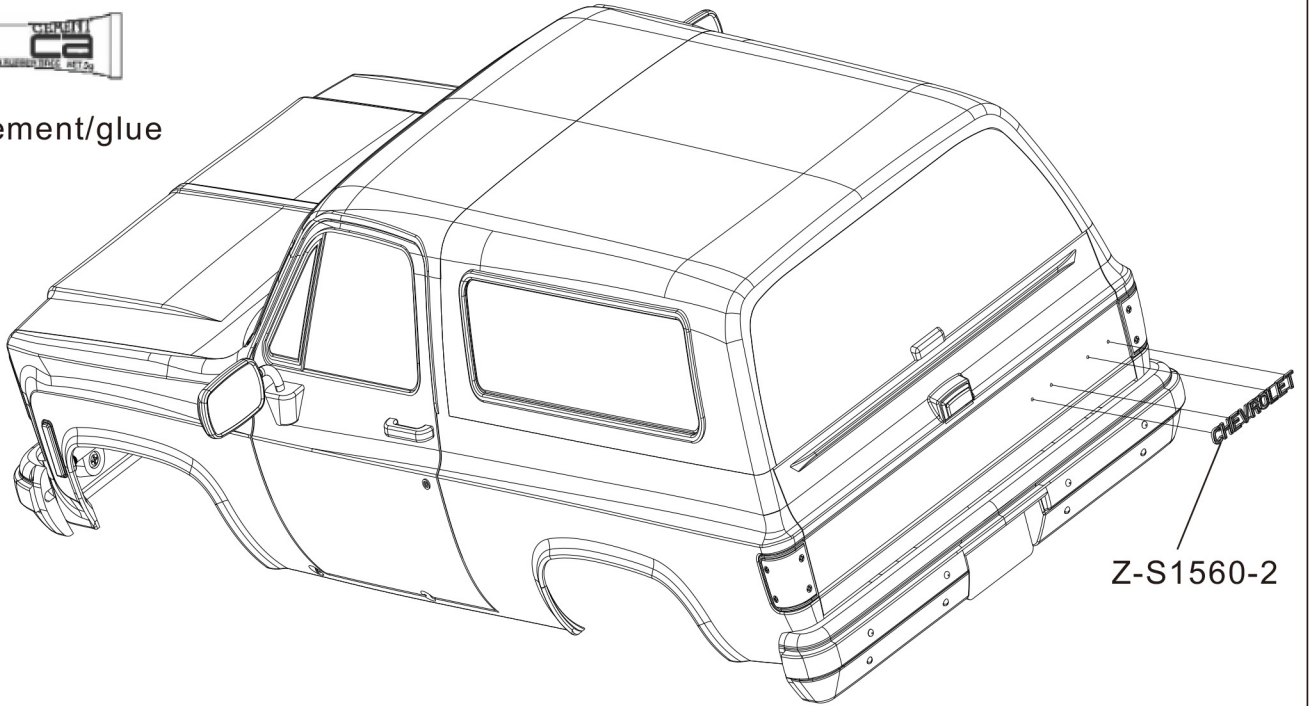
Notice: Pin holes in the body are for alignment of the metal emblems. The metal emblems do not have any mounting tabs or pins. You will need glue to adhere the emblems to the body.

Assembly 33

Notice: Pin holes in the body are for alignment of the metal emblems. The metal emblems do not have any mounting tabs or pins. You will need glue to adhere the emblems to the body.



Plastic cement/glue

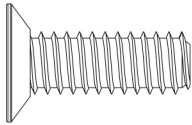


Z-S1560-2

Assembly 34

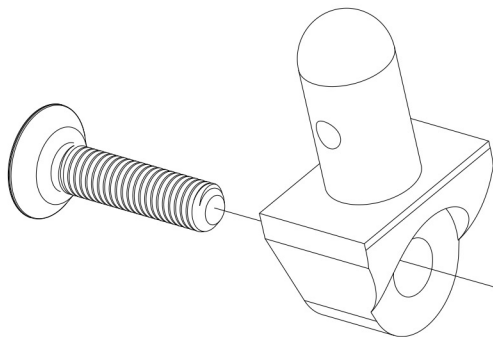
Notice: These parts are used to mount the Chevrolet Blazer Body to the Trail Finder 2

Z-S1568

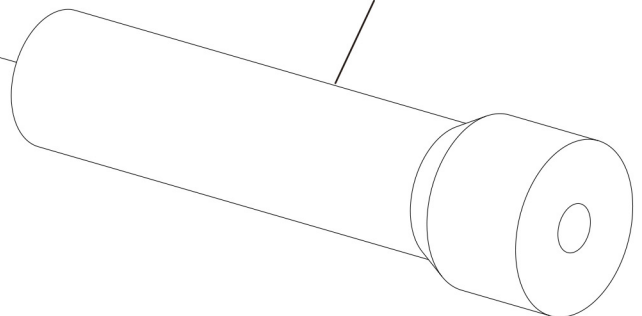


M3X10 Tapping Screw

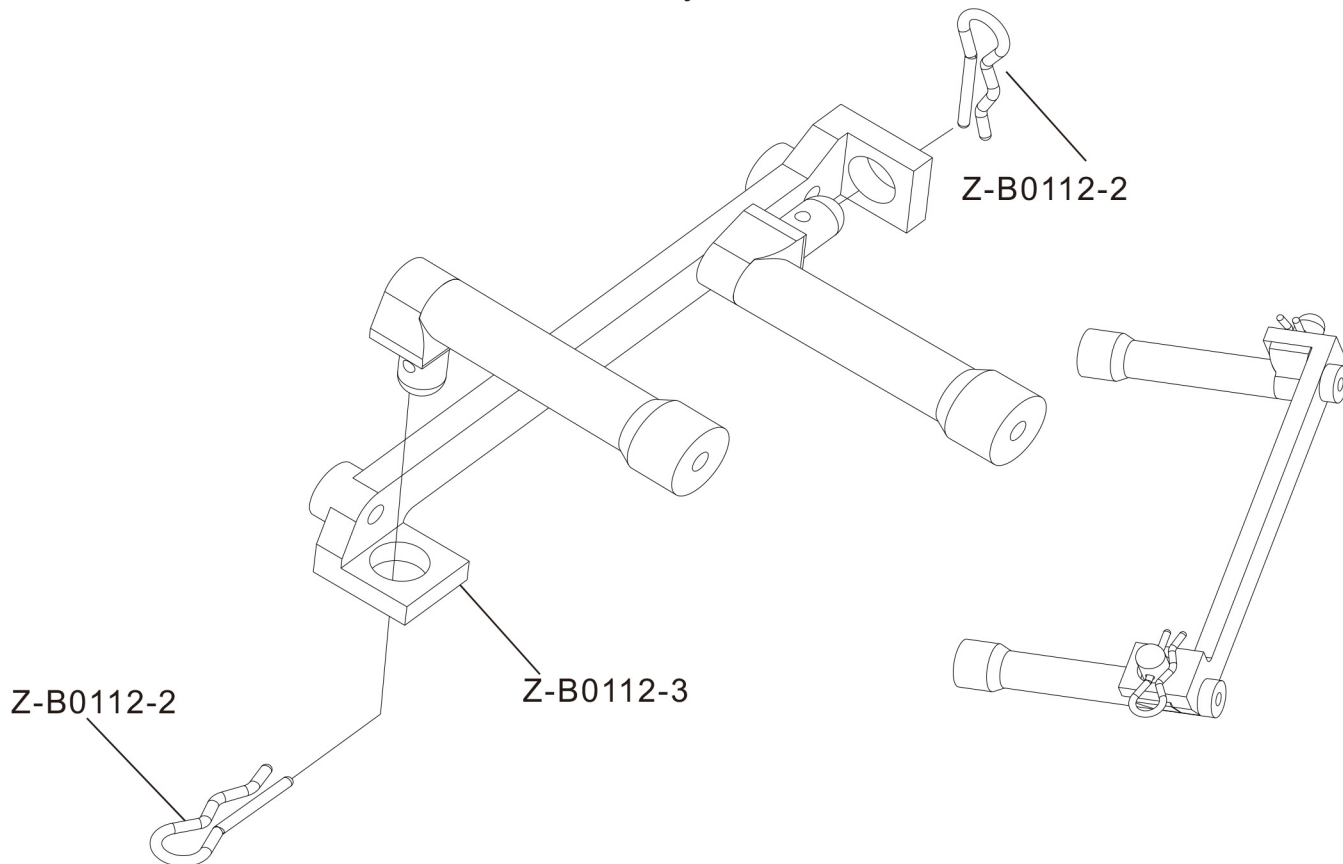
Z-B0112-4



Z-B0108-2

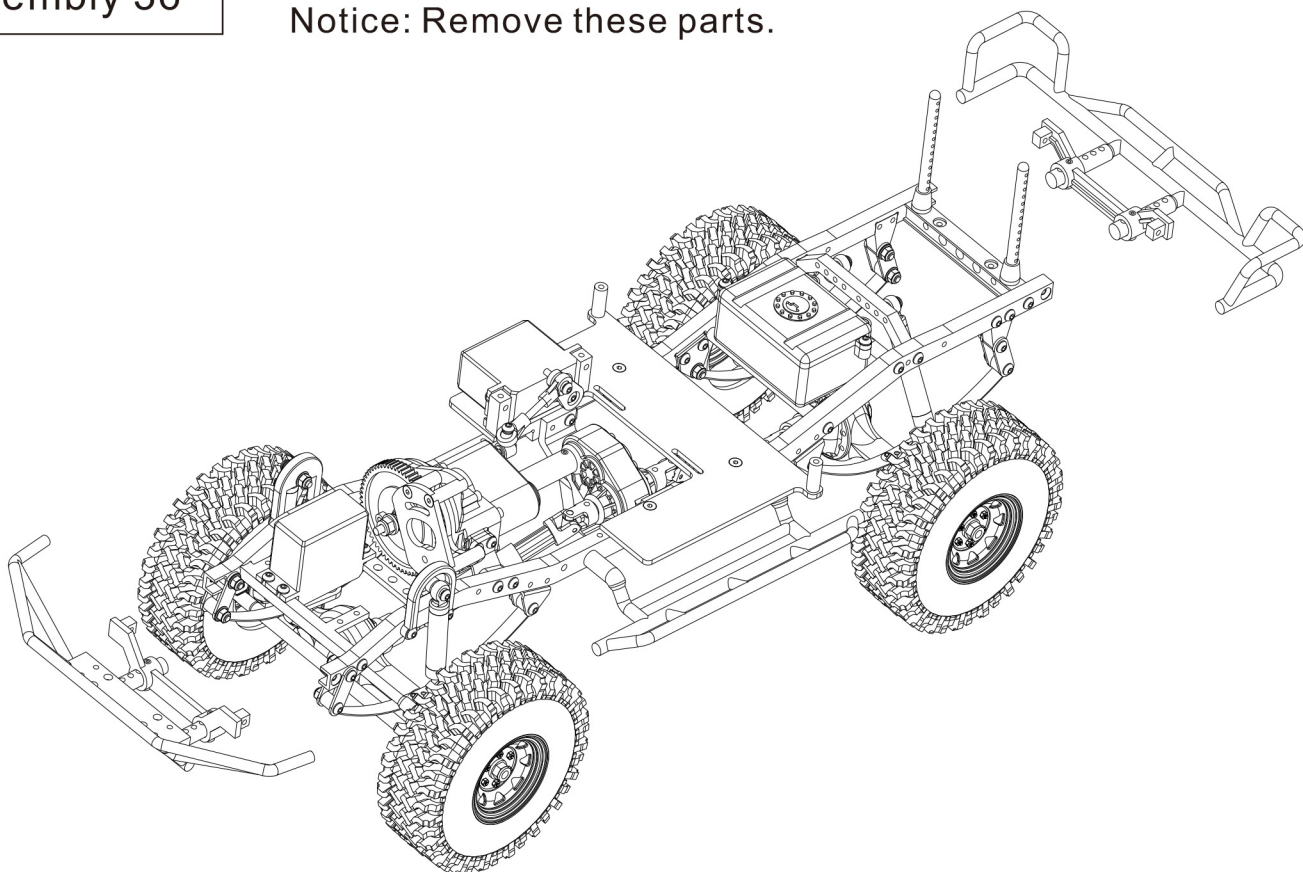


Notice: These parts are used to mount the Chevrolet Blazer Body to the Trail Finder 2



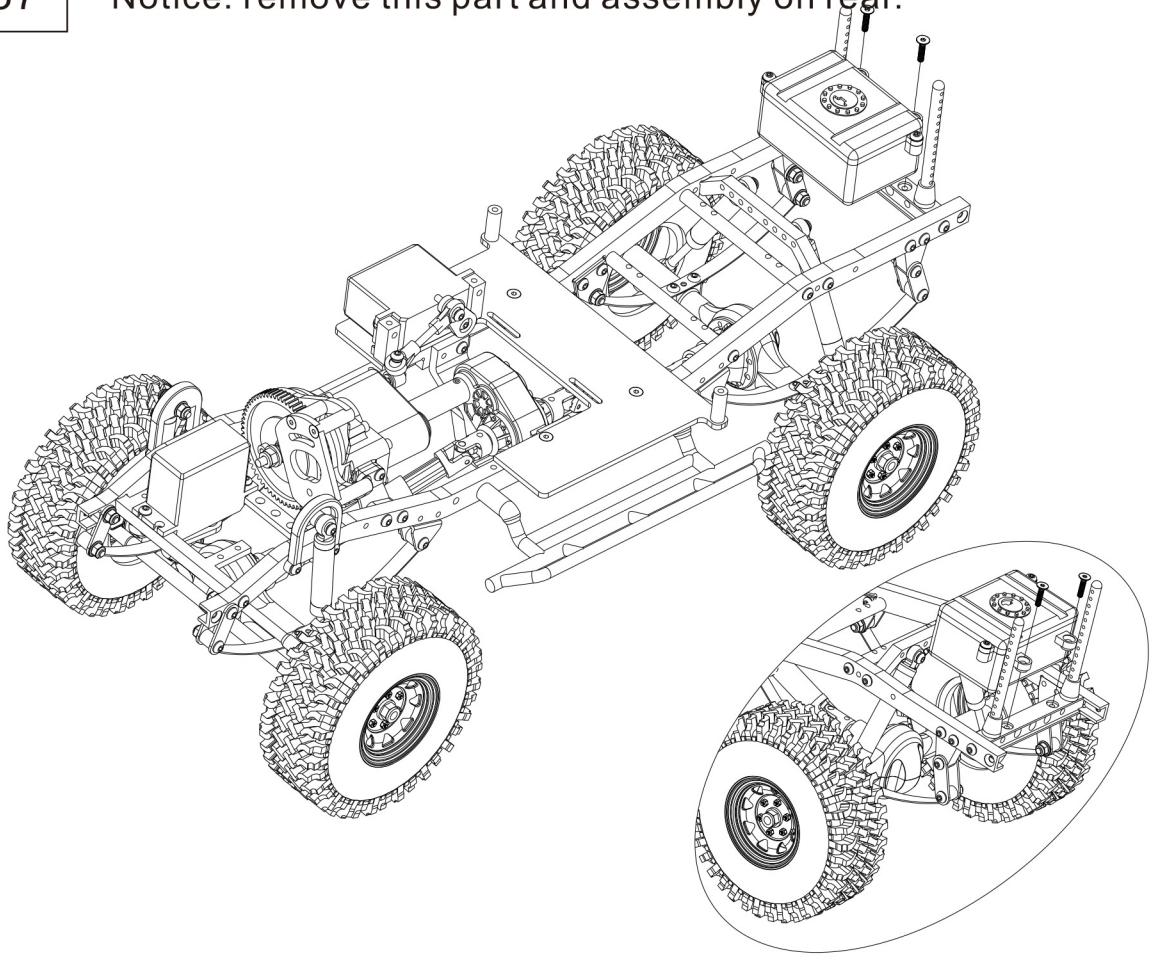
Assembly 36

Notice: Remove these parts.



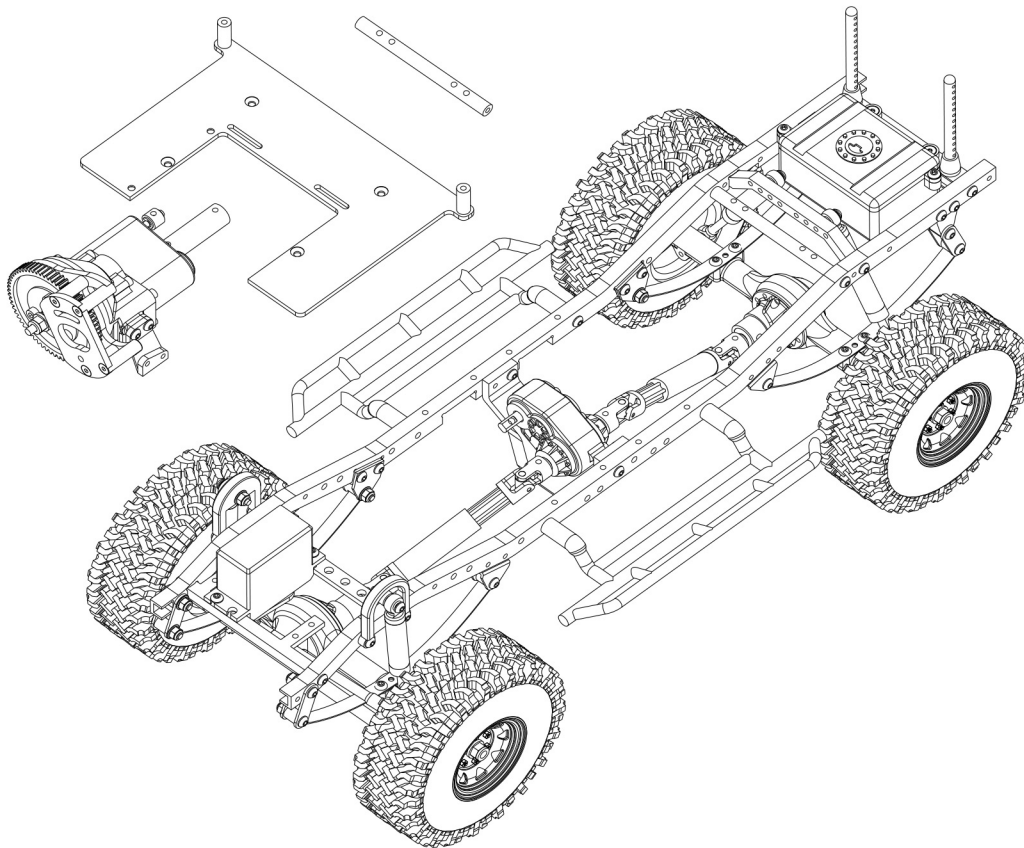
Assembly 37

Notice: remove this part and assembly on rear.



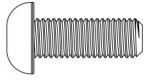
Assembly 38

Notice: Remove these parts.



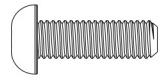
Assembly 39

Z-S0653

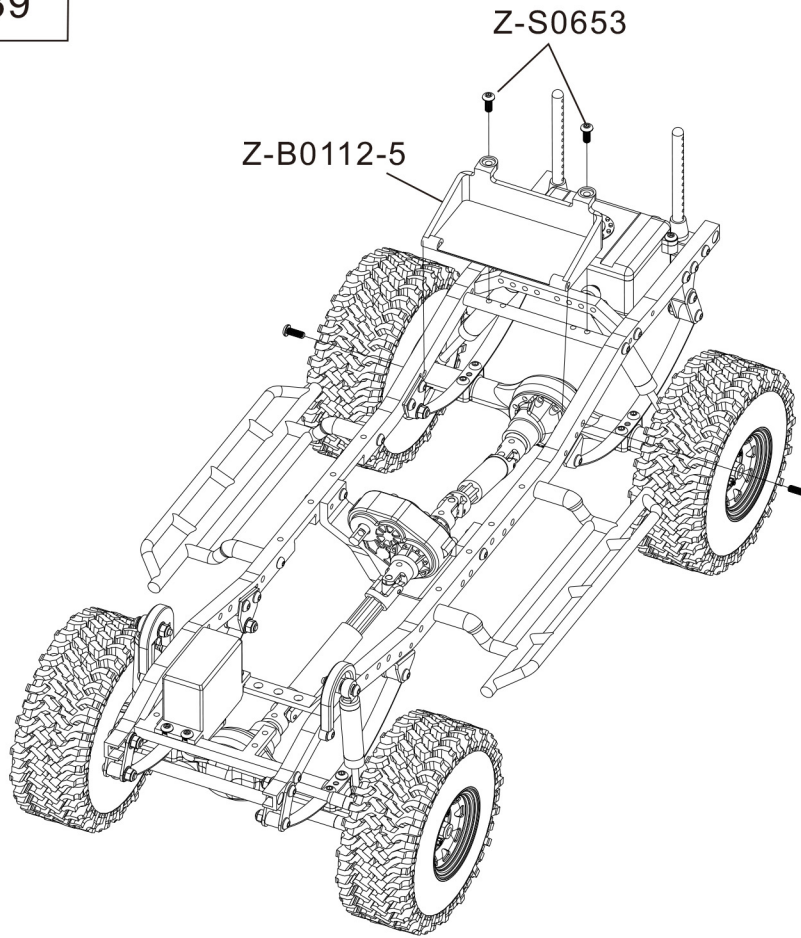


M3X10

Z-S0654

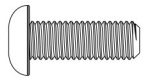


M3X12



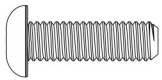
Assembly 40

Z-S0655

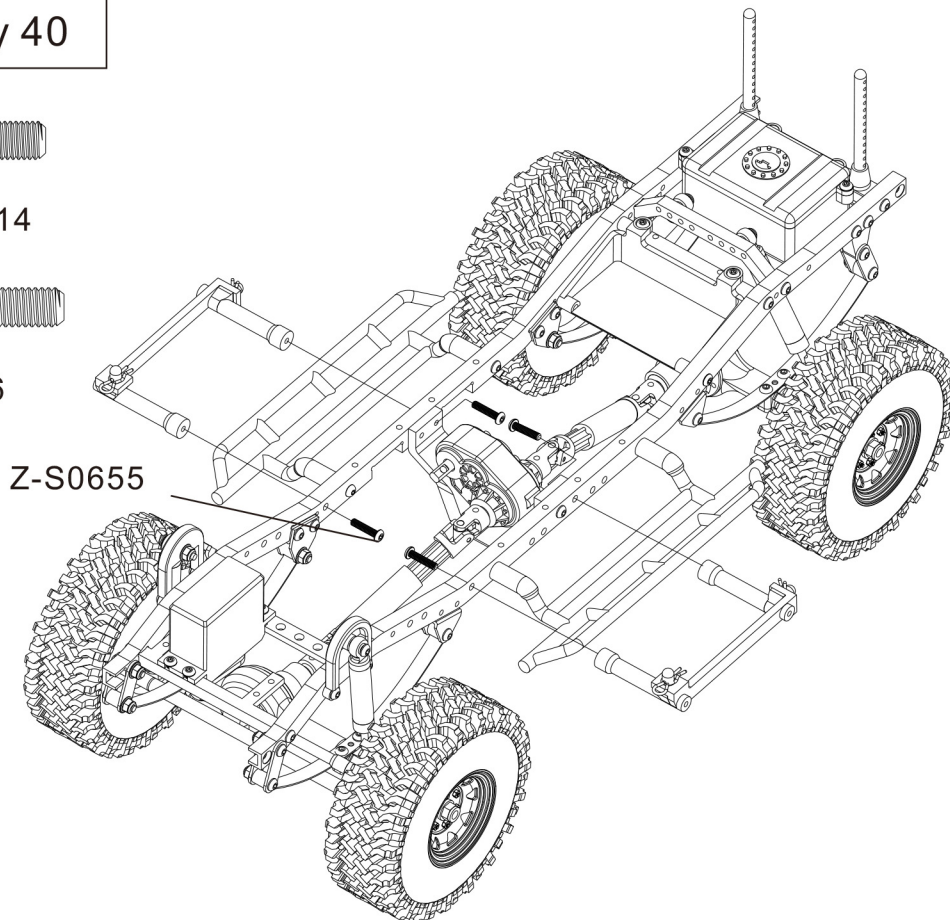


M3X14

Z-S0656

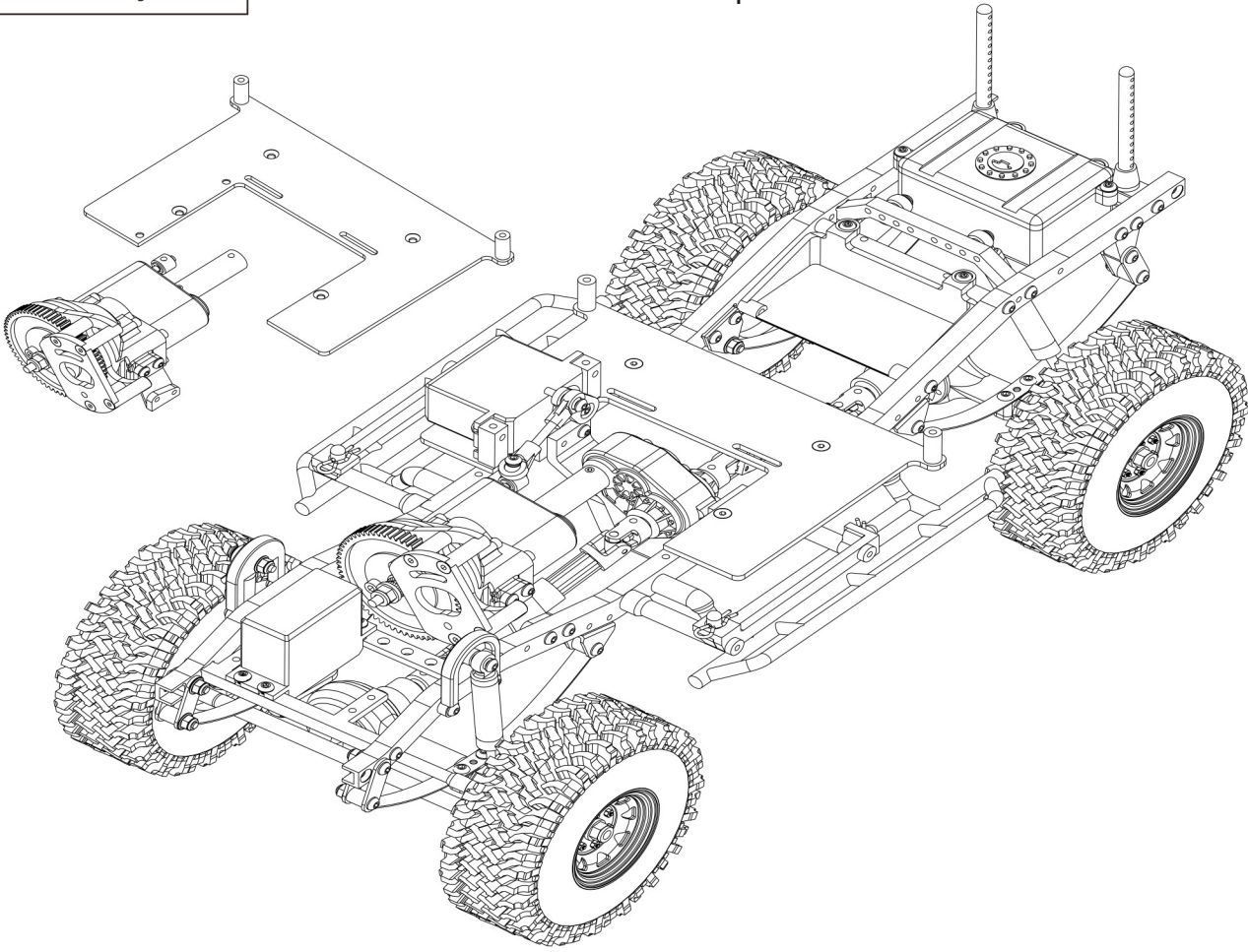


M3X16



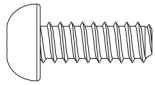
Assembly 41

Notice: Assemble the parts shown below.

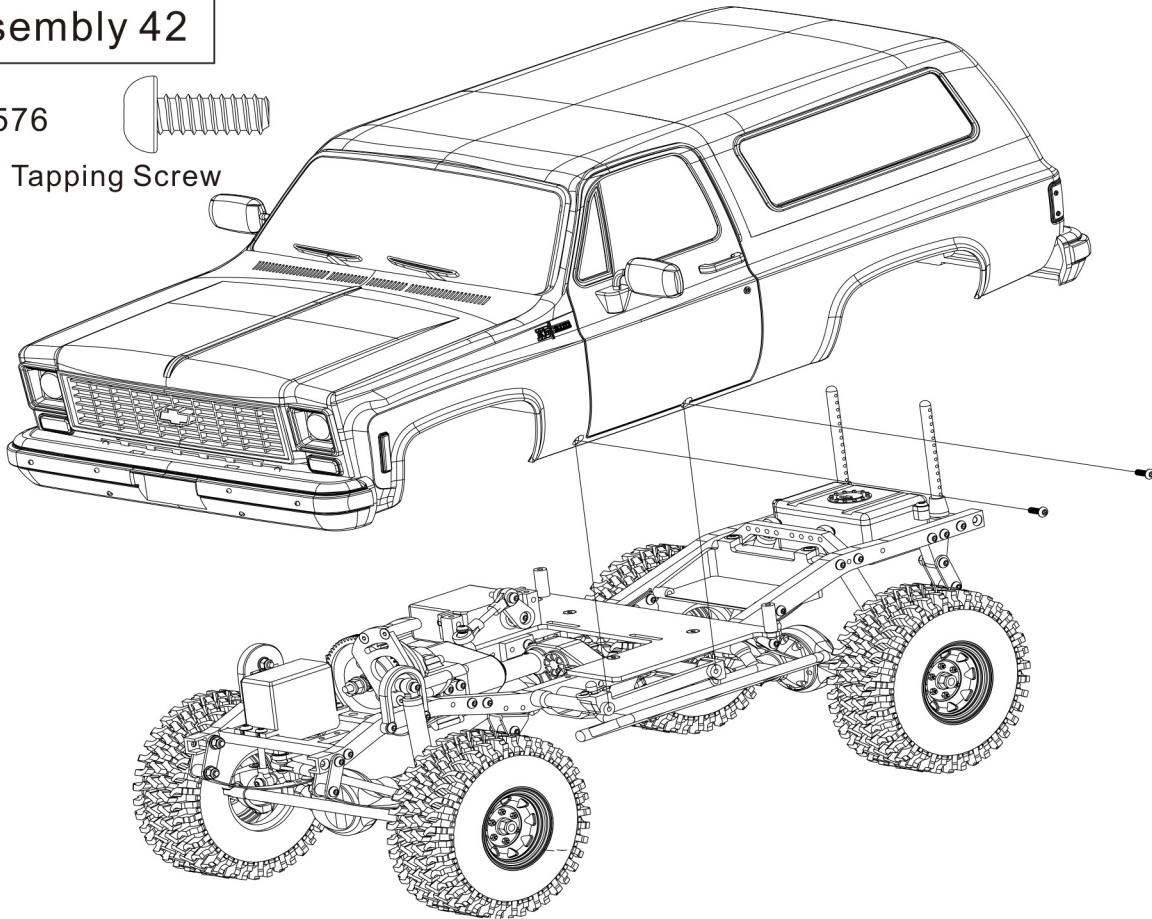


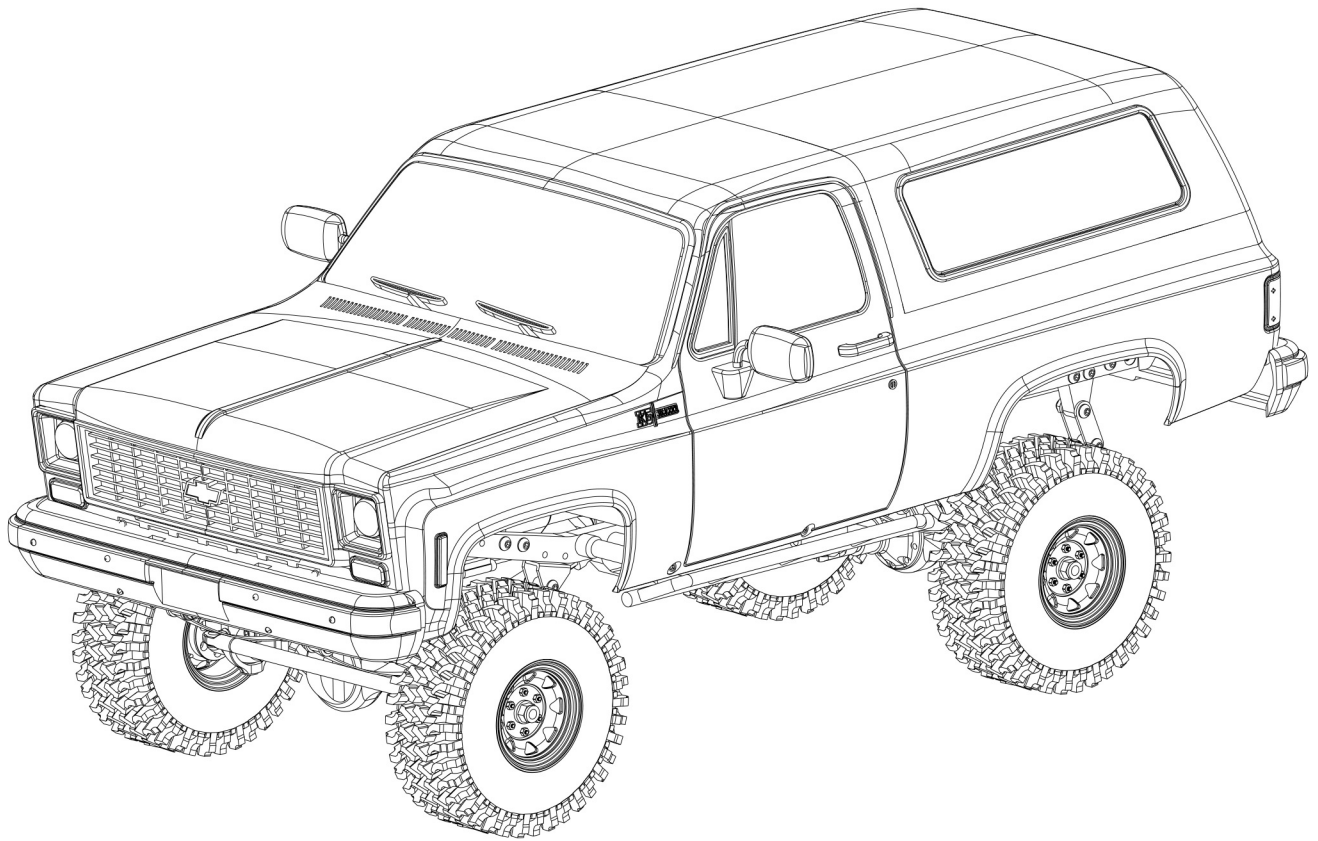
Assembly 42

Z-S1576



M3X8 Tapping Screw





Drive it like you built it!





Mailing Address:

RC4WD
618 Blossom Hill Road, Ste: 201.
San Jose, CA 95123 USA